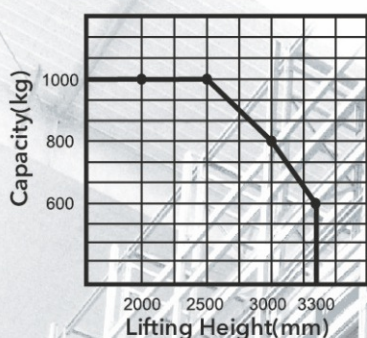


CDD10-070 Electric Fork Over Stacker

Load Curve



Configuration and performance

- Separately excited motor, Strong climbing ability.
- High strength forks.
- Built-in charger.
- Automatic lifting limit, Motor and battery life extension.

Safety

- Stepless speed control system, safe and quiet.
- Controller with Multiple automatic protection
- Emergency reversing device/Emergency brake switch.

Built-in charger

Free-maintained battery

Integrated fork, much stronger

Type	Lift height (mm)	Mast type	Outside width between legs (mm)	Inside width between legs (mm)
CDD10-070	2000/2500/3000/3300	Standard 2-STAGE	550/600/650/685	180/230/280/315

Feature		
Model		CDD10-070
Type		Fork over
Mast type		Standard 2-Stage
Load capacity	kg	1000
Load center	mm	600
Wheel base	mm	1150
Operating type		Walkie
Wheels		
Wheels type		PU
Wheel quantity Driving wheel/Balance wheel/Bearing wheel		1/1/4
Dimension		
Standard lift height	mm	2000/2500/3000/3300
Max.extend height	mm	2515/3015/3515/3815
Mast lowered height	mm	1560/1810/2060/2210
Lowered fork height	mm	90
Fork size(length/width/thickness)	mm	1150(1220)/185/55
Overall length	mm	1733
Overall width	mm	790
Outside width between forks	mm	550/600/650/685
Inside width between forks	mm	180/230/280/315
Min.Turning radius	mm	1350
Min.Aisle width for pallets 800×1200	mm	1914
Min.Aisle width for pallets 1000×1200	mm	1955
Min.ground clearance	mm	30
Performance		
Travel speed,laden/unladen	km/h	3/3.5
Lift speed,laden/unladen	mm/s	120/180
Lowering speed,laden/unladen	mm/s	120/120
Gradeability,laden/unladen	%	5/7
Electrical configuration		
Drive motor/Lift motor/Steering motor	kW	DC0.63/DC2.0
Battery voltage	V	24
Battery capacity	Ah	85
Brake		Electromagnetic/Regenerative
Controller		HELI(Optional CURTIS)
Weight		
Battery weight	kg	48
Service weight with battery	kg	604

* Details of specifications and equipment are based on information available at time of printing and may change without notice.

