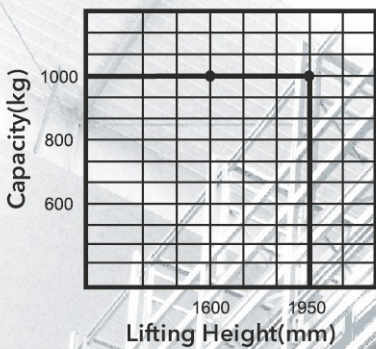


## CDD10-080 Electric Stacker

### Load Curve



### Configuration and performance

- Separately excited motor, Strong climbing ability.
- High strength forks.
- Built-in charger.
- Automatic lifting limit, Motor and battery life extension.

### Safety

- Stepless speed control system, safe and quiet.
- Controller with Multiple automatic protection
- Emergency reversing device/Emergency brake switch.

**Fork over**



**Built-in charger**

**Free-maintained battery**

**Integrated fork, much stronger**

Type	Lift height (mm)	Mast type	Outside width between legs (mm)	Inside width between legs (mm)
CDD10-080	1600/1950	SINGLE STAGE	550/600/650/685	180/230/280/315

Feature		
Model		CDD10
Configuration No.		080
Type		Fork over
Mast type		Mono mast
Load capacity	kg	1000
Load center	mm	600
Wheel base	mm	1052
Operating type		Walkie
Wheels		
Wheels type		PU
Wheel quantity Driving wheel/Balance wheel/Bearing wheel		1/1/4
Dimension		
Standard lift height	mm	1600/1950
Max.extend height	mm	2055/2405
Mast lowered height	mm	2055/2405
Lowered fork height	mm	90
Fork size(length/width/thickness)	mm	1150(1220)/185/55
Overall length	mm	1634
Overall width	mm	790
Outside width between forks	mm	550/600/650/685
Inside width between forks	mm	180/230/280/315
Min.Turning radius	mm	1262
Min.Aisle width for pallets 800×1200	mm	1841
Min.Aisle width for pallets 1000×1200	mm	1883
Min.ground clearance	mm	30
Performance		
Travel speed,laden/unladen	km/h	3/3.5
Lift speed,laden/unladen	mm/s	120/180
Lowering speed,laden/unladen	mm/s	120/120
Gradeability,laden/unladen	%	5/7
Electrical configuration		
Drive motor/Lift motor/Steering motor	kW	DC0.63/DC2.0
Battery voltage	V	24
Battery capacity	Ah	85
Brake		Electromagnetic/Regenerative
Controller		HELI(Option CURTIS)
Weight		
Battery weight	kg	48
Service weight with battery	kg	463

\* Details of specifications and equipment are based on information available at time of printing and may change without notice.

