

EXD-SF and EXD-S Technical Data Double Deck High Lift Pallet Truck with Driver's Stand-on Platform

EXD-SF 20/Li-Ion

EXD-S 20/Li-Ion



EXD-SF/EXD-S Double Deck High Lift Pallet Truck with Driver's Stand-on Platform Twice the load - half the time

				STILL	STILL		
Features	1.1	Manufacturer		EXD-SF 20/Li-Ion	EXD-S 20/Li-Ion		
	1.2	Manufacturer's model designation					
		Platform type		Folding stand-on platform	Rear access/backrest/side access		
	1.3	Drive		Electric	Electric		
	1.4	Operation		Stand-on/pedestrian	Stand-on		
	1.5	Capacity/load	Q	kg	2000/1000 ⁷	2000/1200 ⁷	
	1.5.1	Capacity/load	as a double decker	Qi + Qm	kg	1000 + 1000	
	1.6	Load centre distance	c		600	600	
	1.8	Load distance	x		922	952	
1.9	Wheel base	y		1679	1680		
Weights	2.1	Service weight (incl. battery)		kg	1424 ¹	1336	
	2.2	Axle load, laden	drive end/load end	kg	1276/1884 ¹	1373/1963	
	2.3	Axle load, unladen	drive end/load end	kg	889 ¹	1033/303	
Wheels/chassis	3.1	Tyres			Polyurethane	Polyurethane	
	3.2	Tyre size	drive end		Ø 230 x 90	Ø 230 x 90	
	3.3	Tyre size	load end		Ø 85 x 85 (Ø 85 x 60) ²	Ø 85 x 85 (Ø 85 x 85) ²	
	3.4	Support rollers size	drive end	mm	2x Ø 125 x 60	2x Ø 125 x 60	
	3.5	Number of wheels (x = driven)	drive end/load end		1x +2/4 ²	1x 2/2 (1+2/4)	
	3.6	Tread width	drive end/load end	b ₁₀ /b ₁₁	mm	502/380	502/380
Basic dimensions	4.2	Height of mast when lowered		h ₁	mm	see mast table	see mast table
	4.3	Free lift		h ₂	mm	see mast table	see mast table
	4.4	Lift		h ₃	mm	see mast table	see mast table
	4.5	Height of mast when raised		h ₄	mm	see mast table	see mast table
	4.6	Initial lift		h ₅	mm	125	125
	4.9	Tiller handle height in driving position	min./max.	h ₁₄	mm	1210/1440	1030/1115
	4.10	Height of wheel arms		h ₈	mm	80	80
	4.15	Fork height, lowered		h ₁₃	mm	86	86
	4.19	Total length		l ₁	mm	2185 ⁸	2585
	4.20	Length including fork backs		l ₂	mm	995 ⁸ /1441	1395 ⁵
	4.21	Total width		b ₁	mm	720	720
	4.22	Fork dimensions		s/e/l	mm	50/180/1190	50/180/1190
	4.25	Overall fork width		b ₅	mm	560	560
4.32	Ground clearance, centre of wheel base		m ₂	mm	20 (145) ⁴	20 (145) ⁴	
4.34	Working aisle width with 800 x 1200 pallet lengthwise (b ₁₂ x l ₆)		A _{st}	mm	2660 ⁸ /3098	3034 ^{4,5}	
4.35	Turning radius		W _a	mm	1972 ^{4,8} /2410 ⁴	2363 ^{5,6}	
Performance data	5.1	Driving speed	laden/unladen	km/h	10/10	10/10	
	5.2	Lifting speed (initial lift)	laden/unladen	m/s	0.05/0.06	0,05/0,06	
	5.21	Lifting speed (main lift)	laden/unladen	m/s	0.14/0.22	0,14/0,22	
	5.3	Lowering speed (initial lift)	laden/unladen	m/s	0.10/0.08	0,10/0,08	
	5.3.1	Lowering speed (main lift)	laden/unladen	m/s	0.49/0.20	0,49/0,20	
	5.8	Max. gradeability	laden/unladen	%	12/20	12/20	
5.10	Service brake				Electromagnetic	Electromagnetic	
Electric engine	6.1	Drive motor, rating S2 60 min.		kW	2.3	2.3	
	6.2	Lift motor, rating at S3 15%		kW	2.2	2.2	
	6.3	Battery according to DIN 43531/35/36 A, B, C, no			DIN 43535 3PzS	DIN 43535 3PzS	
	6.4	Battery voltage/rated capacity K _S		V/Ah	24/375	24/375	
	6.5	Battery weight ±5% (depends on manufacturer)		kg	290	290	
	6.6	Energy consumption according to VDI cycle		kWh/h	0.82	0.82	
Misc.	8.1	Transmission control			AC control	AC control	
	8.4	Sound level at driver's ear		dB(A)	62	62	

¹ With telescopic mast, height 2024 mm

² With tandem load rollers

³ Rear access/side access

⁴ Initial lift raised

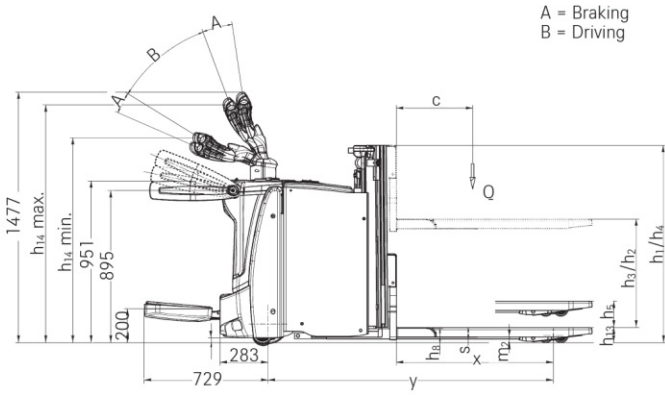
⁵ With rear access, for side access and backrest +75 mm

⁶ For battery compartment 3PzS, -75 mm for 2PzS, +75 mm for 4PzS

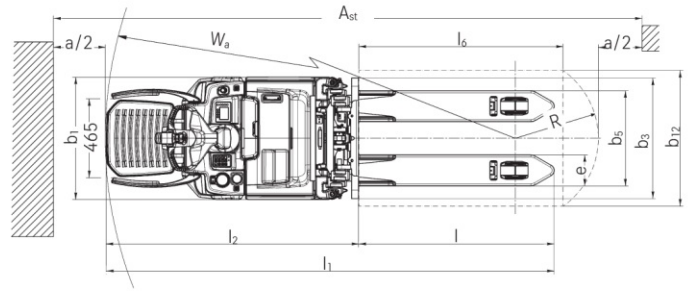
⁷ On the mast

⁸ With platform folded in

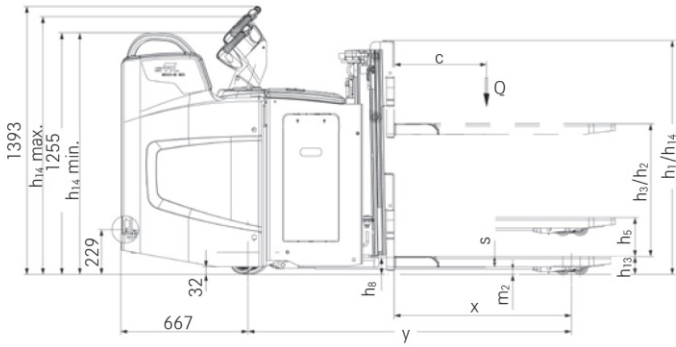
EXD-SF/EXD-S Double Deck High Lift Pallet Truck with Driver's Stand-on Platform
Technical Drawings



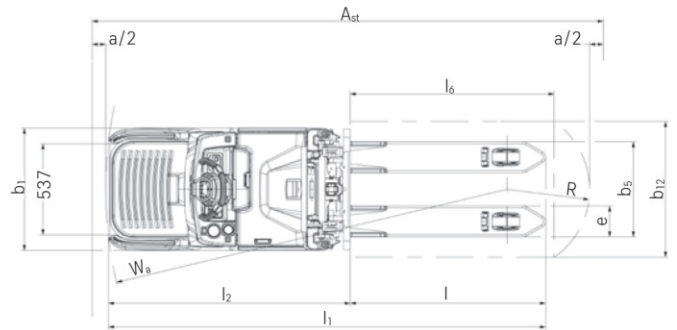
Side view EXD-SF



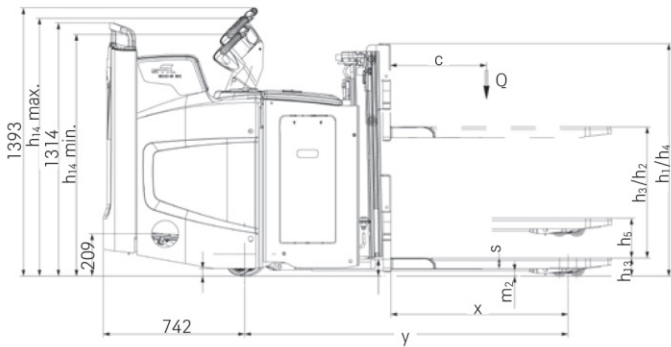
Top view EXD-SF



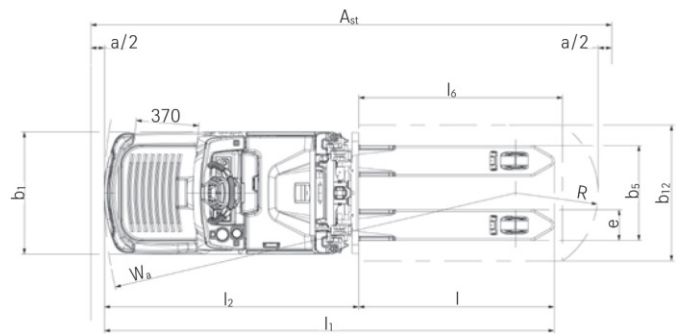
Side view rear access EXD-S



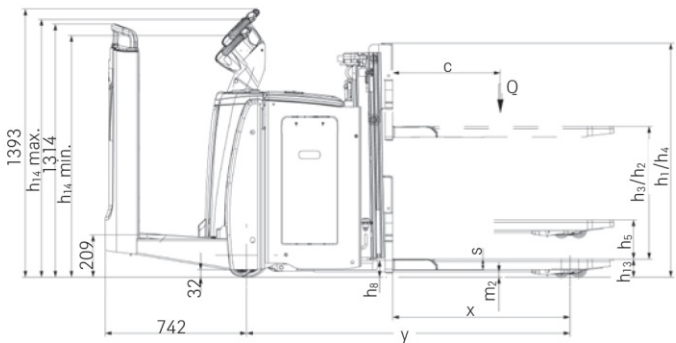
Top view rear access EXD-S



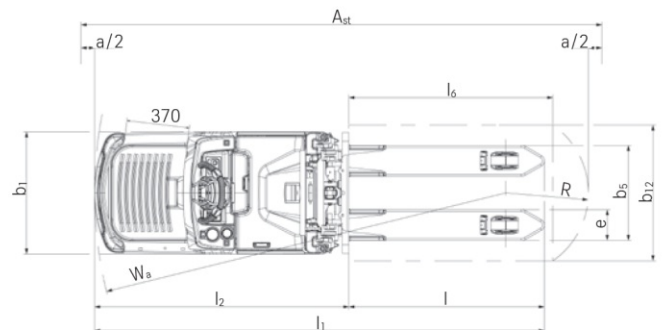
Side view side access EXD-S



Top view side access EXD-S



Side view backrest EXD-S



Top view backrest EXD-S

EXD-SF/EXD-S Double Deck High Lift Pallet Truck with Driver's Stand-on Platform
Mast Tables



EXD-SF 20				Telescopic mast				HiLo	Triplex
	Height	h_1	mm	1240	1315	1465	1665	1665	1915
Overall height with applied free lift	h_1'	mm	1315	1390	1540	1740	-	-	-
Free lift	h_2	mm	150	150	150	150	1145	1395	645
Lift	h_3	mm	1574	1724	2024	2424	2424	2924	2136
Height, mast raised	h_4	mm	2094	2244	2544	2944	2944	3444	2662

EXD-S 20				Telescopic mast			HiLo	Triplex
	Height	h_1	mm	1240	1315	1465	1665	1165
Overall height with applied free lift	h_1'	mm	1315	1390	1540	-	-	
Free lift	h_2	mm	150	150	150	1145	645	
Lift	h_3	mm	1574	1724	2024	2424	2136	
Height, mast raised	h_4	mm	2094	2810	3110	3510	3222	

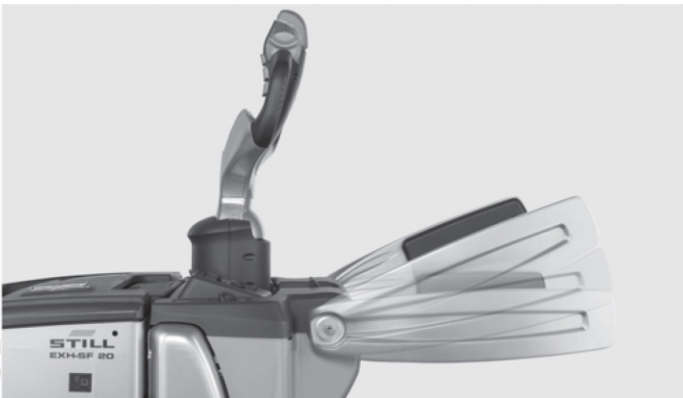




Powerful and fast: up to 2,000 kg lifting capacity and a top speed of 10 km/h



Everything in view: colour display with language-independent symbols shows all important functions



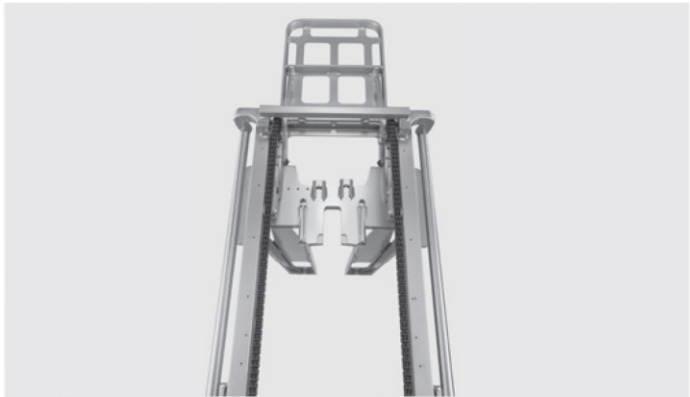
All-round safety: height-adjustable side guards provide optimal protection and stability



At home in any aisle: the particularly compact dimensions enable manoeuvring in even the narrowest spaces



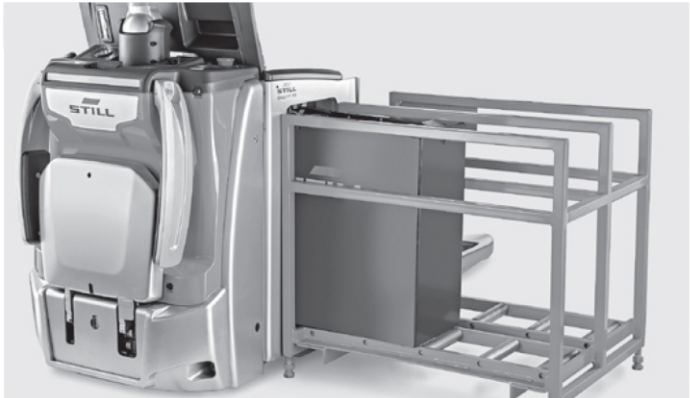
Convenient performance: handles power-intensive drives up ramps with optimal traction thanks to dampened support rollers



Optimum view of forks for high handling capacity and fast threading into pallets



Back-friendly: air-sprung stand-on platform can be adjusted to individual driver's weight



Easy battery replacement: optional lateral battery replacement improves the ergonomics and increases availability



High handling performance and excellent visibility of the load thanks to the free view mast



Perfect in confined spaces and for loading and unloading of trucks: short and narrow design



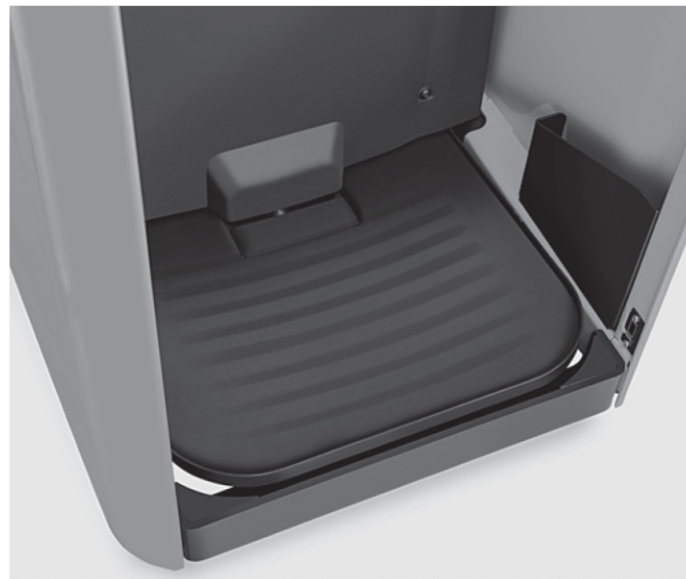
The EXD-S handles power-intensive drives up ramps thanks to its specially designed chassis contour



Precise control in any situation and ergonomically safe steering thanks to the STILL Easy Drive steering wheel



Increased operational hours thanks to fast interim charging with optional STILL Li-ion technology



Comfortable driving: pneumatically cushioned stand-on driver's platform improves concentration levels and is optionally available with an on-board compressor for convenient setting of the dampening effect





EXD-SF/EXD-S Double Deck High Lift Pallet Truck with Driver's Stand-on Platform Twice the load – half the time

Speeds of up to 10 km/h and a maximum lifting capacity of up to 2,000 kg enable high handling rates

Fatigue-free and comfortable working thanks to air-cushioned stand-on platform with integrated compressor

Convenient on ramps: hydraulically dampened support wheels for optimal traction



EXD-SF

Are you looking for an ideal option for horizontal transport over medium and long distances with twice the performance? Look no further than the EXD-SF! With the double deck functionality, you can transport two pallets up to 1,000 kg each – the perfect solution for the fast handling of pressure-sensitive goods such as fruit or vegetables. Alternatively, you can transport a single pallet weighing up to 2,000 kg. To save you running out of steam even over long stretches, the EXD-SF offers a fold-out, air-sprung stand-on platform. The fold-out, height-

adjustable side arms also guarantee safe driving at up to 10 km/h. STILL Dynamic Drive Control adjusts the driving speed dynamically to the current conditions and guarantees optimal and reliable handling rates in all situations. In addition, the EXD-SF can be operated with one hand and impresses thanks to its hydraulically dampened support wheels with excellent traction and optimal driving convenience – even on ramps and when loading/unloading trucks.

Fast and safe driving on ramps thanks to the narrow and stable chassis contour with 5-wheel chassis

Ergonomic back protection thanks to individually adjustable air-cushioned driver's stand-on platform

High and flexible handling capacity: Double-deck function, up to 2,000 kg lifting capacity and up to 2,424 mm lift height

Intuitive operating concept: height-adjustable STILL Easy Drive steering wheel provides easy-access control without the need to change grip



EXD-S

Introducing the high lift champion: the EXD-S double deck high lift pallet truck is simply safe and twice as strong: Thanks to the option of transporting two pallets on top of each other at the same time, you can move your goods in record time. At the same time, you will be perfectly prepared for handling pressure-sensitive goods such as food products as the pallets do not touch each other. Whether you want to transport up to 2,000 kg on the initial lift, up to 1,200 kg on the mast to heights of up to 2,424 mm, or move two pallets of up to 1,000 kg in double-deck mode, the EXD-S will get the job done. True to its name, the intuitive operating concept makes it easy to handle goods at all times: the height-adjustable STILL Easy Drive steering wheel with integrated

display and rocker switches provides reliable, intuitive and convenient operation of a level previously unmatched in this truck class. Whether left- or right-handed, operators will benefit and there is absolutely no need to change grip. The air-sprung stand-on platform, which can be individually adjusted to the operator's weight, feels like walking on air. The chassis contour with 5-wheel chassis and support wheels, specially designed for ramp driving, easily handles even tasks that require constant ascents and descents. And, thanks to the optional lithium-ion battery, short interim charges during breaks will suffice to keep the EXD-S moving around the clock and ensure it provides maximum flexibility.

Simply easy

- Smooth electrical steering and intuitive operation of all functions for left- and right-handed operators with STILL Easy Drive steering wheel
- Easy access and optimal protection for the operator's back and joints: low access point and air-cushioned stand-on platform optionally available with integrated compressor
- Lithium-ion version with optional built-in charger for decentralised charging at any power socket

Simply powerful

- Fast goods handling: up to 2,000 kg lifting capacity and a maximum speed of 10 km/h
- Withstands even the toughest applications: robust, durable chassis made from solid steel
- Swift, safe movement on ramps: high-powered drive and lift motor and 5-wheel chassis with support stabilising wheels
- Built for continuous operation: reliable, low-maintenance and powerful drive

Simply safe

- Working with ease and precision thanks to unobstructed field of vision: free view mast and centrally positioned tiller
- The Dynamic Drive Control assistance system automatically adjusts the speed to the lift height and load
- Move safely between the truck and shelves at all times thanks to the optimally positioned impact plate
- Fast and safe cornering: Curve Speed Control automatically adapts speed to the steering angle when cornering

- Optimal protection for the feet thanks to the low-lying frame
- Safe load handling in cramped environments thanks to compact dimensions
- Only moves off once the operator is standing securely: optional foot sensor detects whether the feet are within the truck's contour

Simply flexible

- High and flexible turnover of goods thanks to double-deck function: move up to 2,000 kg on the initial lift, up to 1,200 kg on the mast or two loads of up to 1,000 kg on top of each other
- Wide range of storage options and optional accessories bracket for attaching extra equipment such as terminals or security lights
- Flexibly configurable driver's cab for various key applications, from frequent ramp driving through to long transport distances: rear access, side access or backrest
- Suitable driving programmes for any application, from maximum handling power through to optimal efficiency: ECO, BOOST or Blue-Q
- Decentralised and flexible charging at any power socket with the optional built-in charger

Simply connected

- Versatile and flexible access control with optional FleetManager 4.x
- Fast service analysis and parametrisation of settings thanks to CAN bus interface
- Easy integration into material flow management system thanks to MMS provision



EXD-SF/EXD-S Double Deck High Lift Pallet Truck with Driver's Stand-on Platform

Equipment Variants



	EXD-SF	EXD-S
General		
Integrated storage options	●	●
Control element set-up suitable for both left and right-handed operators	●	●
LED battery charge level indicator	○	○
Display and operating unit with colour display for selection of driving programme	●	●
Cold store variant	○	○
High-performance rotary driving motor for ultra-low maintenance costs	●	●
Fully enclosed components which are impervious to dirt and dust	●	●
Electrical steering unit	●	●
Side protection bars	●	—
Folding stand-on platform	●	—
Air-sprung stand-on platform	●	●
Air-sprung stand-on platform with compressor for suspension adjustment	○	○
Blue-Q energy-saving system	●	●
Various driving programmes	●	●
Accessories bracket and writing pad	○	○
Smooth lowering of forks and travel stop	○	○
Dynamic Drive Control for improved performance	○	○
Mast		
Telescopic mast	○	○
HiLo mast	○	○
Triplex mast	○	○
Mast protective grille	●	●
Protective mast screen made from polycarbonate	○	○
Initial lift	●	●
Tyres		
Drive wheel tyres, polyurethane	●	●
Drive wheel tyres, polyurethane, profiled	○	○
Drive wheel tyres, solid rubber	○	○
Drive wheel tyres, solid rubber, profiled	○	○
Drive wheel tyres for slippery floors and surfaces	○	○
Load roller tyres, polyurethane, single	●	●
Load roller tyres, polyurethane, tandem	○	○
Load roller tyres, polyurethane, tandem, lubricated	○	○
Safety		
Access authorisation (key)	●	●
Access authorisation (digicode)	○	○
FleetManager access authorisation (digicode)	○	○
FleetManager access authorisation (STILL chip/customer card/customer chip)	○	○
FleetManager: shock detection	○	○
Curve Speed Control: speed reduction when driving around corners	●	●
Speed reduction when forks are lowered	○	○
Lowering lock when driving at speeds over 2.5 km/h	○	○
Combination tiller: variable tiller length for an adequate distance between the driver and the equipment	○	—
Headlights	○	○
Load backrest	○	○
Battery		
Battery compartment for battery up to 250 Ah, for changing batteries with a crane	○	—
Battery compartment for 300-375 Ah battery, for changing batteries with a crane	●	●
Battery compartment for 400-500 Ah battery, for changing batteries with a crane	○	○
Battery compartment for battery up to 250 Ah, for changing batteries with a roller track and changing frame	○	○
Battery compartment for 300-375 Ah battery, for changing batteries with a roller track and changing frame	○	○
Battery compartment for 400-500 Ah battery, for changing batteries with a roller track and changing frame	○	○
Built-in charger for changing batteries using a crane	○	○
STILL Li-ion battery for 205 Ah or 410 Ah	○	○
Built-in charger for Li-ion batteries	○	○

● Standard ○ Option — Not available



STILL GmbH
Berzeliusstr. 10
22113 Hamburg
Germany
Tel.: +49 40 73 39 20 00
Fax: +49 40 73 39 20 01
info@still.de

For further information please visit
www.still.eu



Gemini Equipment And Rentals Pvt. Ltd.

1706-1709, The Corporate Park 17th Floor Plot No-14-15
Vashi Navi Mumbai -400705, India.
Email id : info@gear-india.com | Contact No: +918451934343 |
Website: www.gear-india.com

STILL is certified in the following areas: Quality management, occupational safety, environmental protection and energy management.



ISM=ISO 9001=ISO 14001
OHSAS 18001=ISO 50001

first in intralogistics