

**3000-4000lbs (1.5-2.0 t)**

**36/48V Three Wheel Stand-up  
G Series AC Electric Forklift**

**CPDSR15-20**



## CPDSR15-20

### FEATURES OF THE COMPLETED TRUCK

#### Operator comfort

- Rear padding and armrest help reduce fatigue.
- Multifunction control is ergonomically designed and easy to use.
- All controls are within easy reach to help reduce body strain.

#### Working efficiency

- Small turning radius makes steering flexible and easy .
- With ZAPI control and AC powered motors, drive and lift systems can be programmed for maximum efficiency .
- The large battery capacity for longer single shift work operation.
- With standard battery roller and side removal, battery change is quick and easy .

#### Comfortable

- Side stance for operator to see well forward and backward.
- Automatic park brake applies when operator leaves the compartment or shuts forklift off.
- Programmable automatic deceleration in turns adds to safe operation.
- Optional intelligent security control system automatically adjusts tilt angle and drive speed according to mast height and load state.

#### Serviceability

- Side door gives good access to drive motor and gearbox.
- Chassis components are well laid-out can be accessed with removable top and front covers .



Optional intelligent security control system adjusts tilt angle and speed for improved safety



Operator station provides comfort and efficient operation



Great visibility for improved operation and safety

#### Energy efficiency

- With optimized hydraulic system, truck is more energy efficient .
- All LED lights saves 80% of light energy.
- Regenerative motor braking recycles more energy during braking cycles .
- Programmable speed and acceleration settings can be set for maximum energy efficiency.

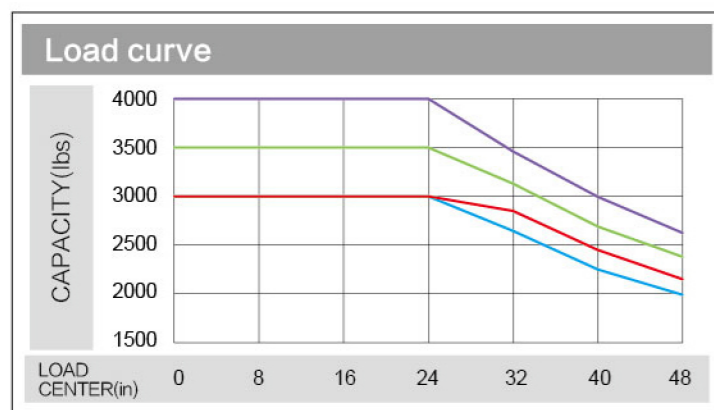
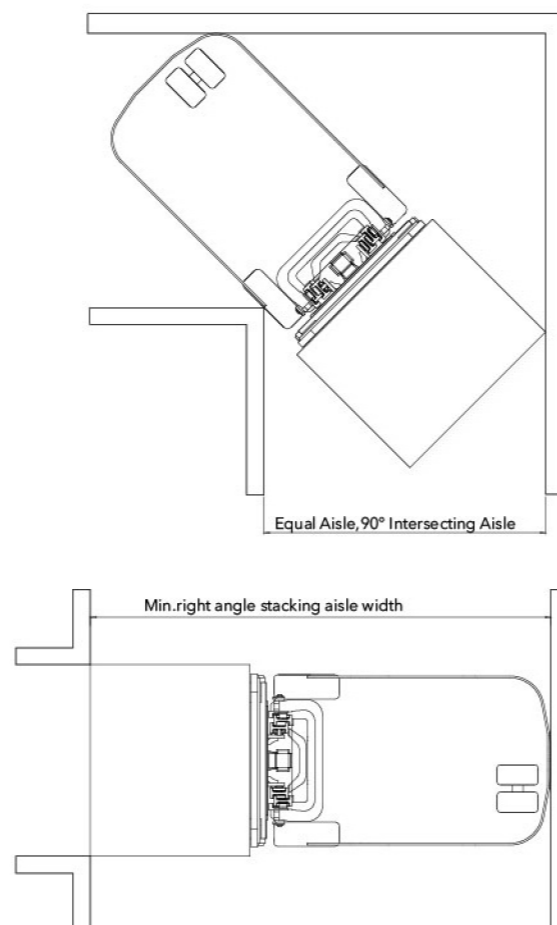
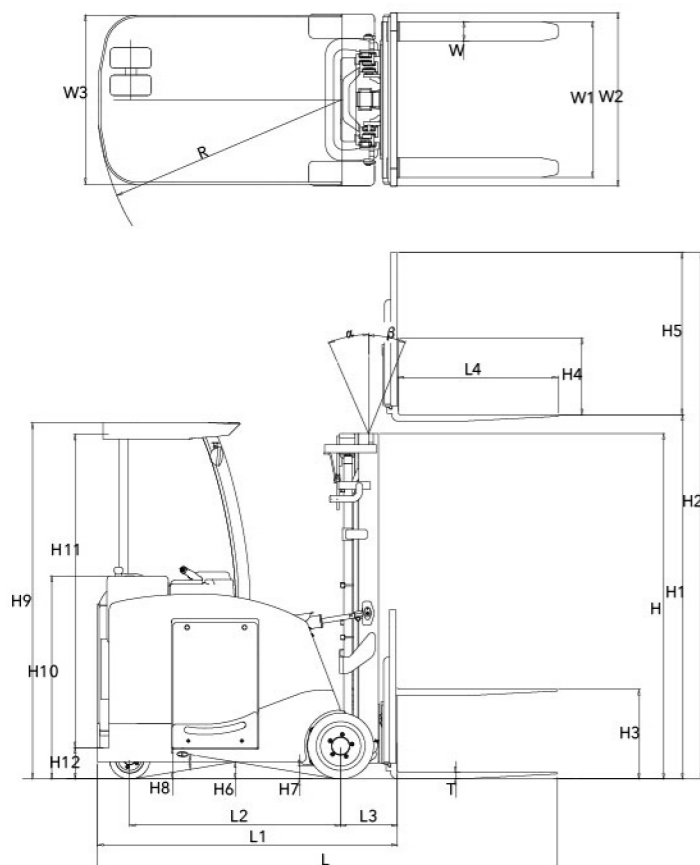
#### Improved operator' s view

- Larger, rounded overhead guard is stylish and combined with strategically angled bars provides maximum visibility .
- Newly designed, wide view mast with special chain enlarges the operator' s view looking forward .

## Manufacturer's Data and Design Characteristics

| General     |                                 | HELI                                |            |                               |                          |                               |                          |                               |                          |                               |                          |                        |             |
|-------------|---------------------------------|-------------------------------------|------------|-------------------------------|--------------------------|-------------------------------|--------------------------|-------------------------------|--------------------------|-------------------------------|--------------------------|------------------------|-------------|
| 1.01        | Manufacturer                    | HELI                                |            |                               |                          |                               |                          |                               |                          |                               |                          |                        |             |
| 1.02        | Model                           |                                     |            | CPDSR15                       |                          | CPDSR15                       |                          | CPDSR18                       |                          | CPDSR20                       |                          |                        |             |
| 1.03        | Configuration number            |                                     |            | GA2                           |                          | GB2                           |                          | GA2                           |                          | GA2                           |                          |                        |             |
| 1.04        | Load Capacity <sup>①</sup>      | lb                                  | kg         | 3000                          | 1362                     | 3000                          | 1362                     | 3500                          | 1589                     | 4000                          | 1816                     |                        |             |
| 1.05        | Load center                     | in                                  | mm         | 24                            | 610                      | 24                            | 610                      | 24                            | 610                      | 24                            | 610                      |                        |             |
| 1.06        | Power                           | Electric                            |            | 36V                           |                          | 36V                           |                          | 36V                           |                          | 36V                           |                          |                        |             |
| 1.07        | Tire type <sup>②</sup>          | Solid pneumatic                     |            | cushion                       |                          | cushion                       |                          | cushion                       |                          | cushion                       |                          |                        |             |
| 1.08        | Wheel(x=driven)                 | Number front/rear                   |            | 2×/2                          |                          | 2×/2                          |                          | 2×/2                          |                          | 2×/2                          |                          |                        |             |
| 1.09        | Operator Type                   |                                     |            | Stand-up Rider Counterbalance |                          | Stand-up Rider Counterbalance |                          | Stand-up Rider Counterbalance |                          | Stand-up Rider Counterbalance |                          |                        |             |
| Dimensions  |                                 |                                     |            |                               |                          |                               |                          |                               |                          |                               |                          |                        |             |
| 2.01        | Max.lifting height              | H1                                  | in         | mm                            | 185                      | 4700                          | 185                      | 4700                          | 185                      | 4700                          | 185                      | 4700                   |             |
| 2.02        | Max.lifting height              | With backrest                       | H2         | in                            | mm                       | 227                           | 5758                     | 227                           | 5758                     | 227                           | 5758                     | 227                    | 5758        |
| 2.03        | Free lift height                | H3                                  | in         | mm                            | 45                       | 1145                          | 45                       | 1145                          | 45                       | 1145                          | 45                       | 1145                   |             |
| 2.04        | Mast overall height             | H                                   | in         | mm                            | 85                       | 2160                          | 85                       | 2160                          | 85                       | 2160                          | 85                       | 2160                   |             |
| 2.05        | Forks                           | Length×width×thickness              | L4×W×T     | in                            | mm                       | 42×3.9×1.4                    | 1070×100×35              | 42×3.9×1.4                    | 1070×100×35              | 42×3.9×1.4                    | 1070×100×35              | 42×4.8×1.6             | 1070×122×40 |
| 2.06        | Optional lengths                | L4                                  | in         | mm                            | 33/36/48/54/60           | 850/920/1220/1370/1520        | 33/36/48/54/60           | 850/920/1220/1370/1520        | 33/36/48/54/60           | 850/920/1220/1370/1520        | 33/36/48/54/60           | 850/920/1220/1370/1520 |             |
| 2.07        | Carriage herght                 | Without load backrest               | H4         | in                            | mm                       | 20.4                          | 520                      | 20.4                          | 520                      | 20.4                          | 520                      | 20.4                   | 520         |
|             |                                 | With load backrest                  | H5         | in                            | mm                       | 41.7                          | 1058                     | 41.7                          | 1058                     | 41.7                          | 1058                     | 41.7                   | 1058        |
| 2.08        | Tilt                            | Forward/backward                    | α/β        | deg                           | 3/5                      |                               | 3/5                      |                               | 3/5                      |                               | 3/5                      |                        |             |
| 2.09        | Fork spacing                    | Out to out min/max                  | W1         | in                            | mm                       | 37.8/7.8                      | 960/200                  | 37.8/7.8                      | 960/200                  | 37.8/7.8                      | 960/200                  | 37.8/7.8               | 960/200     |
| 2.10        | Overall length <sup>③</sup>     | Without fork/with fork              | L/L1       | in                            | mm                       | 109.8/67.7                    | 2790/1720                | 111.8/69.7                    | 2840/1770                | 111.8/69.7                    | 2840/1770                | 114.4/72.2             | 2905/1835   |
| 2.11        | Overall width                   | Wheel outside                       | W2         | in                            | mm                       | 42.3                          | 1075                     | 42.3                          | 1075                     | 42.3                          | 1075                     | 42.3                   | 1075        |
| 2.12        | Chassis width                   |                                     | W3         | in                            | mm                       | 41.7                          | 1058                     | 41.7                          | 1058                     | 41.7                          | 1058                     | 41.7                   | 1058        |
| 2.13        | turning radius                  |                                     | R          | in                            | mm                       | 55.7                          | 1415                     | 57.7                          | 1465                     | 57.7                          | 1465                     | 60                     | 1525        |
| 2.14        | Wheelbase                       |                                     | L2         | in                            | mm                       | 47.4                          | 1205                     | 49.4                          | 1255                     | 49.4                          | 1255                     | 52                     | 1320        |
| 2.15        | Load distance <sup>③</sup>      | Axle to fork face                   | L3         | in                            | mm                       | 12.7                          | 323                      | 12.7                          | 323                      | 12.7                          | 323                      | 12.7                   | 323         |
| 2.16        | Equal Aisle <sup>④</sup>        | 90°intersecting aisle               |            | in                            | mm                       | 66.5                          | 1688                     | 67.2                          | 1706                     | 67.2                          | 1706                     | 68.1                   | 1729        |
| 2.17        | Aisle width <sup>④</sup>        | Right angle stacking                |            | in                            | mm                       | 112.8                         | 2865                     | 114.8                         | 2915                     | 114.8                         | 2915                     | 117                    | 2975        |
| 2.18        | Head length <sup>⑤</sup>        |                                     | H9         | in                            | mm                       | 88                            | 2230                     | 88                            | 2230                     | 88                            | 2230                     | 88                     | 2230        |
| 2.19        | Inside clearance overhead guard |                                     | H11        | in                            | mm                       | 78.2                          | 1987                     | 78.2                          | 1987                     | 78.2                          | 1987                     | 78.2                   | 1987        |
| 2.20        | Step height                     |                                     | H12        | in                            | mm                       | 7.4                           | 188                      | 7.4                           | 188                      | 7.4                           | 188                      | 7.4                    | 188         |
| 2.21        | Chassis height                  |                                     | H10        | in                            | mm                       | 50                            | 1271                     | 50                            | 1271                     | 50                            | 1271                     | 50                     | 1271        |
| Performance |                                 |                                     |            |                               |                          |                               |                          |                               |                          |                               |                          |                        |             |
| 3.01        | Travel speed                    | Loaded/unloaded                     | mph        | km/h                          | 7.2                      | 11.6                          | 7.2                      | 11.6                          | 7.2                      | 11.6                          | 7.2                      | 11.6                   |             |
| 3.02        | Lift speed                      | Loaded/unloaded                     | ft/min     | m/s                           | 65/110                   | 0.33/0.56                     | 65/110                   | 0.33/0.56                     | 65/110                   | 0.33/0.56                     | 61/105                   | 0.31/0.53              |             |
| 3.03        | Lowering speed                  | Loaded/unloaded                     | ft/min     | m/s                           | 98.2                     | 0.45                          | 98.2                     | 0.45                          | 98.2                     | 0.45                          | 98.2                     | 0.45                   |             |
| 3.04        | gradeability 5 minute rating    | Loaded/unloaded                     |            |                               | 15/15                    |                               | 15/15                    |                               | 15/15                    |                               | 15/15                    |                        |             |
| 3.05        | drawbar pull 5 minute rating    | Loaded/unloaded                     | lbf        | N                             | 2925/2655                | 13000/11800                   | 2925/2655                | 13000/11800                   | 3442/3038                | 15300/13500                   | 3442/3038                | 15300/13500            |             |
| Weight      |                                 |                                     |            |                               |                          |                               |                          |                               |                          |                               |                          |                        |             |
| 4.01        | Truck weight <sup>⑤</sup>       | With minimum weight battery         | lb         | kg                            | 7864                     | 3567                          | 8208                     | 3723                          | 8510                     | 3860                          | 8854                     | 4016                   |             |
| 4.02        | Front axle load <sup>⑤</sup>    | Loaded/unloaded (with battery)      | lb         | kg                            | 9687/4542                | 4394/2060                     | 9943/4656                | 4510/2112                     | 10580/4736               | 4799/2148                     | 11226/4934               | 5092/2238              |             |
| 4.03        | Rear axle load <sup>⑤</sup>     | loaded/unloaded (with battery)      | lb         | kg                            | 1043/3322                | 473/1507                      | 1263/3550                | 573/1610                      | 1237/3774                | 561/1712                      | 1265/3920                | 574/1778               |             |
| Chassis     |                                 |                                     |            |                               |                          |                               |                          |                               |                          |                               |                          |                        |             |
| 5.01        | Type size                       | Front                               |            |                               | 16.25×6-11.25            |                               | 16.25×6-11.25            |                               | 16.25×6-11.25            |                               | 16.25×6-11.25            |                        |             |
| 5.02        | Type size                       | Rear                                |            |                               | 10×5-6.5                 |                               | 10×5-6.5                 |                               | 10×5-6.5                 |                               | 10×5-6.5                 |                        |             |
| 5.03        | Tread width                     | Front                               | in         | mm                            | 36.3                     | 922                           | 36.3                     | 922                           | 36.3                     | 922                           | 36.3                     | 922                    |             |
| 5.04        | Tread width                     | Rear                                | in         | mm                            | 6.7                      | 170.5                         | 6.7                      | 170.5                         | 6.7                      | 170.5                         | 6.7                      | 170.5                  |             |
| 5.05        | Ground clearance                | At lowest point at mast             | in         | mm                            | 3.8                      | 95                            | 3.8                      | 95                            | 3.8                      | 95                            | 3.8                      | 95                     |             |
| 5.06        |                                 | Center of wheelbase                 | in         | mm                            | 4                        | 101.5                         | 4                        | 101.5                         | 4                        | 101.5                         | 4                        | 101.5                  |             |
| 5.07        |                                 | Lowest point                        | in         | mm                            | 3                        | 76                            | 3                        | 76                            | 3                        | 76                            | 3                        | 76                     |             |
| 5.08        | Battery roller height           |                                     | in         | mm                            | 7.1                      | 180                           | 7.1                      | 180                           | 7.1                      | 180                           | 7.1                      | 180                    |             |
| 5.09        | Grade clearance                 | Loaded                              |            |                               | 36.2                     |                               | 34.7                     |                               | 34.7                     |                               | 32.9                     |                        |             |
| 5.10        | Brakes                          | Service/parking                     |            |                               | Foot-motor/Auto-electric |                               | Foot-motor/Auto-electric |                               | Foot-motor/Auto-electric |                               | Foot-motor/Auto-electric |                        |             |
| Electrical  |                                 |                                     |            |                               |                          |                               |                          |                               |                          |                               |                          |                        |             |
| 6.01        | Battery                         | Capacity at 6 hr.Discharge rate     | Ah         | kwh                           | 930                      | 32.5                          | 1085                     | 37.9                          | 1085                     | 37.9                          | 1240                     | 43.3                   |             |
|             |                                 | Min.Battery weight                  | lb         | kg                            | 1980                     | 898                           | 2300                     | 1043                          | 2300                     | 1043                          | 2500                     | 1134                   |             |
|             |                                 | Max.Battery weight                  | lb         | kg                            | 2300                     | 1043                          | 2700                     | 1225                          | 2700                     | 1225                          | 3050                     | 1380                   |             |
|             |                                 | Battery compartment size, maximum   | in         | mm                            | 16.5×38.5×31             | 420×980×787                   | 18.5×38.5×31             | 480×980×787                   | 18.5×38.5×31             | 470×980×787                   | 21×38.5×31               | 535×980×787            |             |
| 6.02        | Motor                           | Drive motor capacity, 60min.Rating  | hp         | kw                            | 6.1                      | 4.5                           | 6.1                      | 4.5                           | 6.1                      | 4.5                           | 6.1                      | 4.5                    |             |
|             |                                 | Pump motor capacity, 15%.Rating     | hp         | kw                            | 14.75                    | 11                            | 14.75                    | 11                            | 14.75                    | 11                            | 14.75                    | 11                     |             |
|             |                                 | Steering motor capacity, 50%.Rating | hp         | kw                            | 0.54                     | 0.4                           | 0.54                     | 0.4                           | 0.54                     | 0.4                           | 0.54                     | 0.4                    |             |
|             |                                 | Controls,drive, hydraulic, steering | type       |                               | MOSFET/AC                |                               | MOSFET/AC                |                               | MOSFET/AC                |                               | MOSFET/AC                |                        |             |
|             |                                 | Number of speed                     | All motors |                               | Infinitely variable      |                               | Infinitely variable      |                               | Infinitely variable      |                               | Infinitely variable      |                        |             |

NOTE: ① Optional masts, attachments, longer load dimensions and higher lifting heights may result in derating of the capacity, contact your local dealer. ② Tire type can change polyurethane. ③ If truck is equipped with an integral sideshifter, add 1.2 in. ④ With 48" long and 40" wide pallet load, wide view full free 3-stage mast, allowing zero clearance, right angle stacking = Turn Radius + Load Distance + Load Length + Clearance. ⑤ With wide view full free 3-stage mast, mast model ZSM470



CPDSR15-GA2 CPDSR15-GB2 CPDSR18-GA2 CPDSR20-GA2

**Note:** The vertical axis is the load capacity, and the horizontal axis is the load center, which is calculated from the front face of the forks to the forks to the load centre of gravity. Capacity curves shown are for a standard mast at zero-degree tilt with standard forks. Changing mast tilt, using non-standard forks or loading large goods can affect load capacity. This chart can be used to estimate load capacity at various load centers for standard masts. Contact HELI for specific load ratings for your situation.

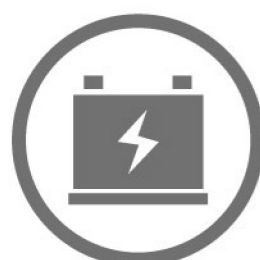
| BATTERY COMPARTMENT SIZE |                        |      |      |           |     |         |                   |                   |      |      |
|--------------------------|------------------------|------|------|-----------|-----|---------|-------------------|-------------------|------|------|
| MODEL                    | Battery Specifications |      |      |           |     |         | Min weight<br>lbs | Max weight<br>lbs |      |      |
|                          | Size(Max.)             |      |      | Electrial |     |         |                   |                   |      |      |
|                          | DimL                   | DimH | DimH | Volts     | AH  | Type    |                   |                   |      |      |
| CPD15SQ-GA2R             | 38.5                   | 16.5 | 31   | 36        | 750 | E125    | 1980              | 2250              |      |      |
|                          |                        |      |      |           | 930 | E155    |                   |                   |      |      |
|                          |                        |      |      |           | 775 | 5PZS775 |                   |                   |      |      |
| CPD15SQ-GB2R             |                        |      |      | 18.5      | 31  | 36      | 550               | 5PZB 550H         | 2300 | 2600 |
|                          |                        |      |      |           |     |         | 875               | E125              |      |      |
|                          |                        |      |      |           |     |         | 1085              | E155              |      |      |
| CPD18SQ-GA2R             | 21                     | 31   | 36   |           |     | 840     | 8PZB840           | 2300              | 2600 |      |
|                          |                        |      |      |           |     | 660     | 6PZB 660H         |                   |      |      |
|                          |                        |      |      |           |     | 875     | E125              |                   |      |      |
| CPD20SQ-GA2R             |                        |      | 21   | 31        | 36  | 1085    | E155              | 2590              | 3050 |      |
|                          |                        |      |      |           |     | 840     | 8PZB840           |                   |      |      |
|                          |                        |      |      |           |     | 660     | 6PZB 660H         |                   |      |      |
|                          |                        |      |      |           | 48  | 1000    | E125              |                   |      |      |
|                          |                        |      |      |           |     | 1240    | E155              |                   |      |      |
|                          |                        |      |      |           |     | 945     | 9PZB945           |                   |      |      |
|                          |                        |      |      |           | 48  | 770     | 7PZB 770H         |                   |      |      |
|                          |                        |      |      |           |     |         |                   |                   |      |      |
|                          |                        |      |      |           |     |         |                   |                   |      |      |

### WIDE VIEW MAST

| Mast model | Maximum Fork Height H1 | Capacity(load center 24") |                      |                      |                      |                      |                      |                      |                      | Overall Height H | Mast Extended height H2 | Freelift with backrest H3 | Tilt Range α/β | Service Weight(unload) |             |             |             |
|------------|------------------------|---------------------------|----------------------|----------------------|----------------------|----------------------|----------------------|----------------------|----------------------|------------------|-------------------------|---------------------------|----------------|------------------------|-------------|-------------|-------------|
|            |                        | CPDSR15-GA2               |                      | CPDSR15-GB2          |                      | CPDSR18-GA2          |                      | CPDSR20-GA2          |                      |                  |                         |                           |                | CPDSR15-GA2            | CPDSR15-GB2 | CPDSR18-GA2 | CPDSR20-GA2 |
|            |                        | Integral sideshifter      | Integral sideshifter | Integral sideshifter | Integral sideshifter | Integral sideshifter | Integral sideshifter | Integral sideshifter | Integral sideshifter |                  |                         |                           |                | lb/kg                  | lb/kg       | lb/kg       | lb/kg       |
| in(mm)     | lb/kg                  | lb/kg                     | lb/kg                | lb/kg                | lb/kg                | lb/kg                | lb/kg                | in/mm                | in/mm                | in/mm            | deg.                    | lb/kg                     | lb/kg          | lb/kg                  | lb/kg       |             |             |
| M250       | 98/2500                | 3000/1360                 | 3000/1360            | 3000/1360            | 3000/1360            | 3500/1590            | 3500/1590            | 4000/1815            | 4000/1815            | 70/1775          | 140/3558                | 3.3/85                    | 3/5            | 7378/3346              | 7722/3502   | 8037/3645   | 8381/3801   |
| M300       | 118/3000               | 3000/1360                 | 3000/1360            | 3000/1360            | 3000/1360            | 3500/1590            | 3500/1590            | 4000/1815            | 4000/1815            | 80/2025          | 160/4058                | 3.3/85                    | 3/5            | 7437/3373              | 7781/3529   | 8101/3674   | 8445/3830   |
| M330       | 130/3300               | 3000/1360                 | 3000/1360            | 3000/1360            | 3000/1360            | 3500/1590            | 3500/1590            | 4000/1815            | 4000/1815            | 86/2175          | 172/4358                | 3.3/85                    | 3/5            | 7475/3390              | 7819/3546   | 8139/3691   | 8483/3847   |
| M350       | 138/3500               | 3000/1360                 | 3000/1360            | 3000/1360            | 3000/1360            | 3500/1590            | 3500/1590            | 4000/1815            | 4000/1815            | 90/2275          | 180/4558                | 3.3/85                    | 3/5            | 7499/3401              | 7843/3557   | 8167/3704   | 8511/3860   |
| M370       | 146/3700               | 3000/1360                 | 3000/1360            | 3000/1360            | 3000/1360            | 3500/1590            | 3500/1590            | 4000/1815            | 4000/1815            | 93/2375          | 187/4758                | 3.3/85                    | 3/5            | 7523/3412              | 7867/3568   | 8194/3716   | 8538/3872   |
| M400       | 157/4000               | 3000/1360                 | 3000/1360            | 3000/1360            | 3000/1360            | 3500/1590            | 3500/1590            | 4000/1815            | 3858/1750            | 101/2575         | 199/5058                | 3.3/85                    | 3/5            | 7634/3462              | 7978/3618   | 8306/3767   | 8650/3923   |
| M425       | 167/4250               | 3000/1360                 | 2756/1250            | 3000/1360            | 3000/1360            | 3500/1590            | 3417/1550            | 3748/1700            | 3638/1650            | 106/2700         | 209/5308                | 3.3/85                    | 3/5            | 7665/3476              | 8009/3632   | 8339/3782   | 8683/3938   |
| M450       | 177/4500               | 2756/1250                 | 2425/1100            | 3000/1360            | 3000/1360            | 3329/1510            | 3219/1460            | 3638/1650            | 3527/1600            | 111/2825         | 219/5558                | 3.3/85                    | 3/5            | 7693/3489              | 8037/3645   | 8370/3796   | 8714/3952   |
| M500       | 197/5000               | 2491/1130                 | 2535/1150            | 2866/1300            | 2800/1270            | 3000/1360            | 2910/1320            | 3351/1520            | 3240/1470            | 121/3075         | 238/6058                | 3.3/85                    | 3/5            | 7753/3516              | 8097/3672   | 8436/3826   | 8780/3982   |
| M550       | 217/5500               | 2227/1010                 | 2160/980             | 2535/1150            | 2425/1100            | 2690/1220            | 2580/1170            | 3000/1360            | 2866/1300            | 133/3375         | 258/6558                | 3.3/85                    | 3/5            | 7945/3603              | 8289/3759   | 8575/3889   | 8919/4045   |
| M600       | 236/6000               | 1985/900                  | 1764/800             | 2205/1000            | 1985/900             | 2425/1100            | 2205/1000            | 2535/1150            | 2425/1100            | 143/3625         | 278/7058                | 3.3/85                    | 3/5            | 8004/3630              | 8348/3786   | 8641/3919   | 8985/4075   |

### WIDE VIEW FULL FREE 3-STAGE MAST

| Mast model | Maximum Fork Height H1 | Capacity(load center 24") |                      |                      |                      |                      |                      |                      |                      | Overall Height H | Mast Extended height H2 | Freelift with backrest H3 | Tilt Range α/β | Service Weight(unload) |             |             |             |
|------------|------------------------|---------------------------|----------------------|----------------------|----------------------|----------------------|----------------------|----------------------|----------------------|------------------|-------------------------|---------------------------|----------------|------------------------|-------------|-------------|-------------|
|            |                        | CPDSR15-GA2               |                      | CPDSR15-GB2          |                      | CPDSR18-GA2          |                      | CPDSR20-GA2          |                      |                  |                         |                           |                | CPDSR15-GA2            | CPDSR15-GB2 | CPDSR18-GA2 | CPDSR20-GA2 |
|            |                        | Integral sideshifter      | Integral sideshifter | Integral sideshifter | Integral sideshifter | Integral sideshifter | Integral sideshifter | Integral sideshifter | Integral sideshifter |                  |                         |                           |                | lb/kg                  | lb/kg       | lb/kg       | lb/kg       |
| in(mm)     | lb/kg                  | lb/kg                     | lb/kg                | lb/kg                | lb/kg                | lb/kg                | lb/kg                | in/mm                | in/mm                | in/mm            | deg.                    | lb/kg                     | lb/kg          | lb/kg                  | lb/kg       |             |             |
| ZSM360     | 142/3600               | 3000/1360                 | 3000/1360            | 3000/1360            | 3000/1360            | 3500/1590            | 3500/1590            | 4000/1815            | 3968/1800            | 70/1775          | 160/4658                | 31/775                    | 3/5            | 7713/3498              | 8057/3654   | 8359/3791   | 8703/3947   |
| ZSM400     | 157/4000               | 3000/1360                 | 2910/1320            | 3000/1360            | 3000/1360            | 3500/1590            | 3500/1590            | 3924/1780            | 3836/1740            | 76/1925          | 199/5058                | 36/910                    | 3/5            | 7768/3523              | 8112/3679   | 8414/3816   | 8758/3972   |
| ZSM435     | 171/4350               | 2910/1320                 | 2822/1280            | 3000/1360            | 3000/1360            | 3500/1590            | 3417/1550            | 3858/1750            | 3748/1700            | 80/2025          | 213/5408                | 40/1025                   | 3/5            | 7815/3544              | 8159/3700   | 8461/3837   | 8805/3993   |
| ZSM450     | 177/4500               | 2800/1270                 | 2800/1230            | 3000/1360            | 3000/1360            | 3417/1550            | 3373/1500            | 3748/1700            | 3638/1650            | 82/2090          | 219/5558                | 42/1075                   | 3/5            | 7837/3554              | 8181/3710   | 8483/3847   | 8827/4003   |
| ZSM470     | 185/4700               | 2756/1250                 | 2646/1200            | 3000/1360            | 3000/1360            | 3373/1500            | 3197/1450            | 3638/1650            | 3527/1600            | 85/2160          | 227/5758                | 45/1145                   | 3/5            | 7865/3567              | 8209/3723   | 8511/3860   | 8855/4016   |
| ZSM480     | 189/4800               | 2756/1250                 | 2646/1200            | 3000/1360            | 3000/1360            | 3373/1500            | 3197/1450            | 3638/1650            | 3527/1600            | 86/2190          | 231/5858                | 46/1175                   | 3/5            | 7876/3572              | 8220/3728   | 8522/3865   | 8866/4021   |
| ZSM500     | 197/5000               | 2691/1130                 | 2535/1150            | 2932/1330            | 2778/1260            | 3042/1380            | 2954/1340            | 3351/1520            | 3263/1480            | 90/2290          | 239/6058                | 50/1275                   | 3/5            | 7936/3599              | 8280/3755   | 8582/3892   | 8926/4048   |
| ZSM540     | 213/5400               | 2227/1010                 | 2160/980             | 2646/1200            | 2491/1130            | 2734/1240            | 2646/1200            | 3000/1360            | 2910/1320            | 95/2425          | 254/6458                | 56/1410                   | 3/5            | 8037/3645              | 8381/3801   | 8683/3938   | 9027/4094   |
| ZSM600     | 236/6000               | 1896/860                  | 1764/800             | 2271/1000            | 2138/970             | 2359/1070            | 2271/1030            | 2646/1200            | 2535/1150            | 104/2640         | 278/7058                | 65/1625                   | 3/5            | 8123/3684              | 8467/3840   | 8769/3977   | 9113/4133   |
| ZSM650     | 256/6500               | 1609/730                  | 1543/700             | 1984/880             | 1874/850             | 2050/930             | 1984/900             | 2315/1050            | 2205/1000            | 111/2830         | 298/7558                | 71/1815                   | 3/5            | 8198/3718              | 8542/3874   | 8844/4011   | 9188/4167   |



### RENEWABLE ENERGY TECHNOLOGIES

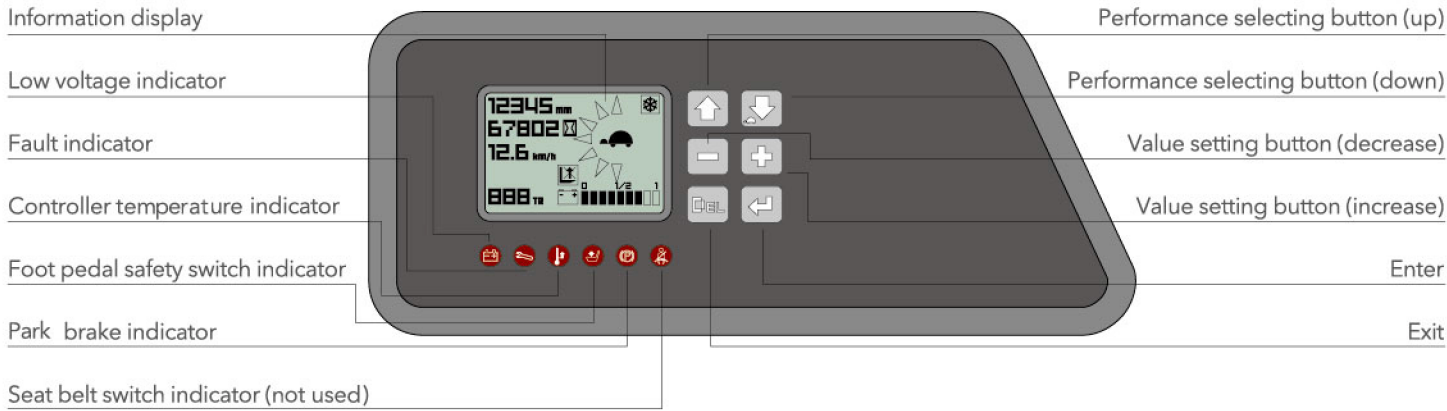
With the AC controlling renewable energy technologies, the forklift is more energy-saving and the working hour of the battery is extended by 15%.



15%

Reliable special designed instrument

**ZAPI intelligent display provides vital information such as speed and battery discharge status, and is used to customize performance parameters**



**ZAPI intelligent display for GA2&GB2**

### Standard configuration

- Wide view standard mast
- Integral sideshifter
- Standard fork
- Class II standard carriage
- Load backrest
- Three-spool proportion control valve
- Joystick
- 88" Overhead guard
- LCD combined display
- Solid tire
- Wide-angle rearview mirror
- LED front work lights
- LED warning light(flashing)
- Electric horn
- USB charging output
- EPS (Electronic power steering)
- Automatic steering slow down device
- Regenerative braking
- Electronic Packing brake
- OPS (Operator presence sensing)
- Battery side extraction
- Electronic lift buffer
- Hydraulic drop buffer
- Driving speed decreases during high lift

### Optional device

- Wide view full free 3-stage mast
- LED Warning lights(rotating/buzzer)
- Polyurethane tires
- Traceless tires
- Rear work light
- Blue safety light
- Long forks
- Lower type overhead guard
- Accessory hydraulic component
- Tilt cylinder protection sleeve
- Customer color
- Battery loading and unloading car
- Intelligent security control system
- Stop at the height specified position
- Wireless monitoring
- Adjustable elbow support