

LTX Technical Data

Electric Tractor and Transporter

LTX 70

LTX-T 08



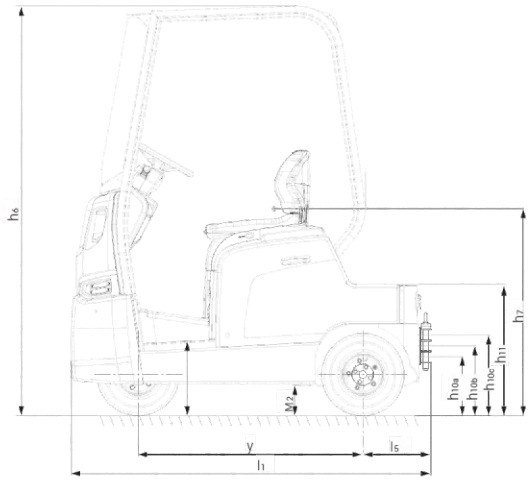
LTX Electric Tractor and Transporter

Intelligent pulling

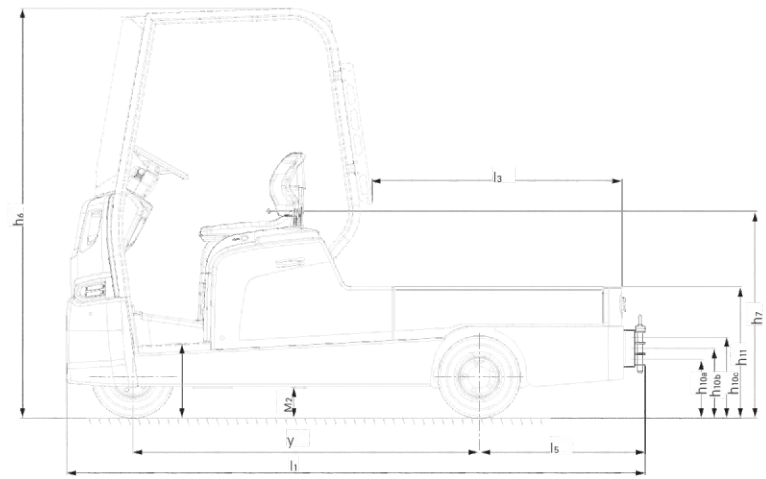
This specification sheet, which conforms to VDI guideline 2198, provides the technical values for the standard equipment only. Different tyres, other masts, the use of accessories, etc. may result in other values.



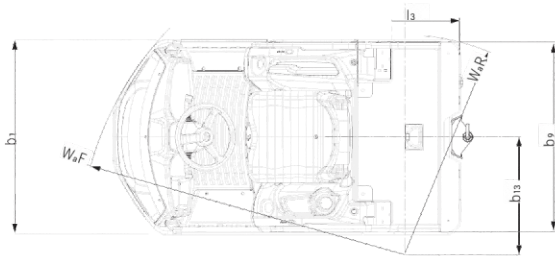
Distinguishing marks	1.1	Manufacturer			STILL	STILL	
	1.2	Manufacturer's type designation			LTX 70	LTX-T 08	
	1.3	Drive			Electro	Electro	
	1.4	Operation			Seated	Seated	
	1.5	Nominal load capacity/load	Q	kg	150	800	
Weights	1.7	Rated drawbar pull	F	N	1400	1400	
	1.9	Wheel base	y	mm	1190	1795	
	2.1	Weight incl. battery		kg	1515/1260	1470/1215	
Weights	2.2	Axle load, laden		kg	662/853	580/1435 740/1530	
	2.3	Axle load, unladen		kg	550/710	580/635 740/730	
Tyres/chassis	3.1	Tyres			Superelastic/pneumatic/Air	Superelastic/pneumatic/Air	
	3.2	Tyre size		front	4.00-8/6PR	4.00-8	
	3.3	Tyre size		rear	4.00-8/6PR	4.00-8	
	3.5	Number of wheels (x = driven wheel)		front/rear	1/2x	1/2x	
	3.7	Track width		rear	b ₁₁ mm	860	
Basic dimensions	4.7	Height to top of overhead guard (cabin)		h ₆ mm	2070	2070	
	4.8	Seat height relative to SIP		h ₇ mm	1020	1020	
	4.12	Coupling height a, b, c		h ₁₀ mm	285/340/395	285/340/395	
	4.13	Loading height, unladen		h ₁₁ mm	645	680	
	4.16	Length of loading platform		l ₃ mm	265/520	1275/1415	
	4.17	Length of overhang		l ₅ mm	350	840	
	4.18	Width of loading platform		b ₉ mm	900	900	
	4.19	Overall length		l ₁ mm	1830	2955	
	4.21	Overall width		b ₁ mm	998	998	
	4.32	Ground clearance at centre of wheel base		m ₂ mm	135	135	
	4.34	Working aisle width		A _{st} mm	2765	3520	
	4.35	Outer turning radius		front	W _{af} mm	1650	2230
	4.35.1	Turning radius		rear	W _{ar} mm	1115	1290
4.36		Inner turning radius		b ₁₃ mm	600	600	
Performance data	5.1	Speed		laden/unladen	km/h	11/19	
	5.5	Drawbar pull		laden/unladen	N	See diagram	
	5.6	Max. drawbar pull		laden/unladen	N	See diagram	
	5.7	Gradeability		laden/unladen	%	See diagram	
	5.8	Max. gradeability		laden/unladen	%	See diagram	
5.10	Brakes				Hydraulic/electric	Hydraulic/electric	
Electric engine	6.1	Drive motor, output S2 60 min			kW	4.5	
	6.3	Battery equipment to DIN 4353/35/36 A, B, C				DIN 43531 A	
	6.4	Battery capacity K _s			V/Ah	48 V 3PzS 345/375	
	6.5	Battery weight			kg	560	
Misc.	10.7	Sound pressure level L _{PAZ} (driver's seat)			dB(A)	60	
	10.8	Trailer coupling, type/DIN				3-steps-coupling	
	10.9	Height step		min./max.	mm	350/370	
	Battery change				Lateral	Lateral	



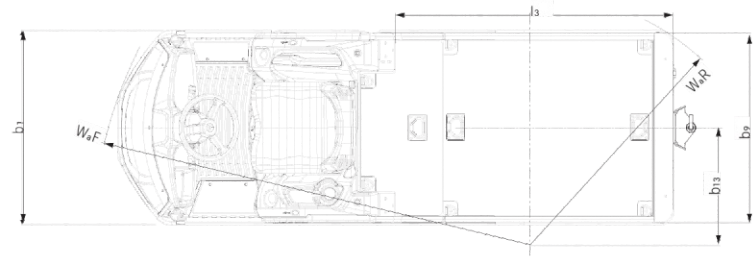
LTX 70 Side view



LTX-T 08 Side view



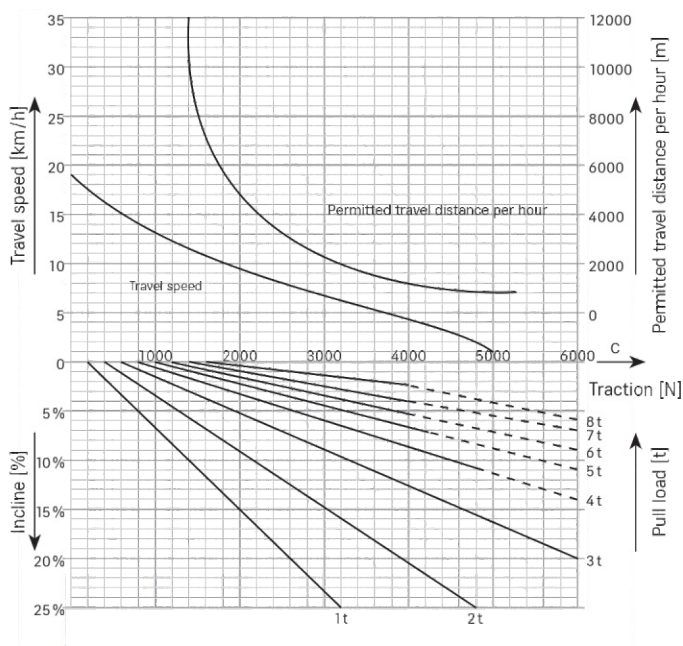
LTX 70 Top view



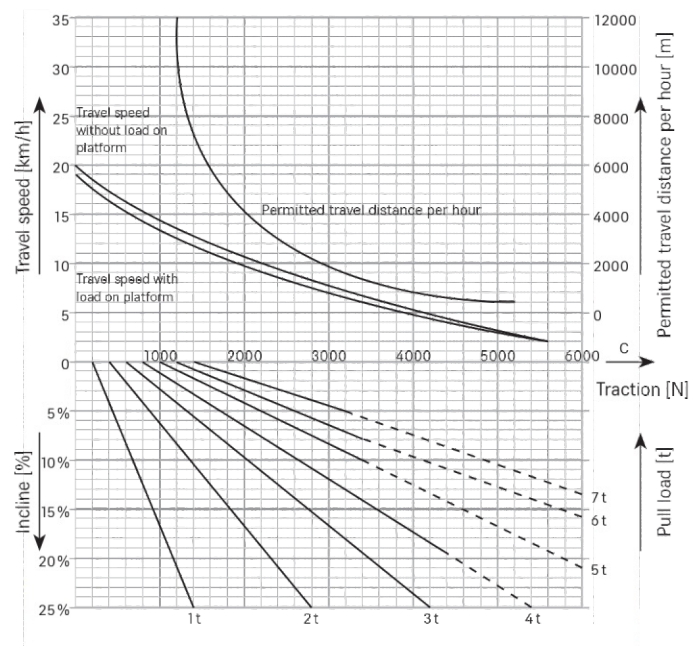
LTX-T 08 Top view

Performance diagram

Performance diagram LTX 70



Performance diagram LTX-T 08



Where the pull load is indicated by a solid line. It is possible to re start the equipment on an incline after stopping.
 The permitted travel distance per hour is the total distance including the return journey and descents. It is recommended to use trailers with brakes if the trailer weight is more than 2.5 t and for all trailer loads if there is travel on inclines/gradient.

LTX Electric Tractor and Transporter Detailed Photos



Lateral battery change



STILL Ramp Indicator



Pedestrian function



Large footwell



Step



Adjustable steering column



LED daytime driving lights



Low access step and spacious footwell

LED daytime driving lights - low energy consumption, high safety level, long durability

Pedestrian operation provides efficient production supply



Three letters stand for the next stage of evolution in electric tractors and transport vehicles: LTX. This forward-looking forklift truck pulls up to eight tonnes quickly and reliably to wherever you want - whether indoors or outdoors. The automatic parking brake ensures safe starting on ramps and easy dismounting: It is activated as soon as the vehicle is stationary. The STILL Ramp Indicator also informs the driver at all times of the current incline or gradient. Achieving optimal forklift truck utilisation has never been easier. Even frequent entry and exit over short distances is a thing of the past with the LTX, as with pedestrian operation the vehicle follows the operator at every turn.

It is not just the low access step that makes it comfortable to take your seat in the truck: The driver's seat that is also used in the forklift sector impresses with its excellent springing and cushioning, while the spacious footwell also provides sufficient space for the largest work shoes. The durable and environmentally friendly LED daytime driving lights ensure the vehicle is visible at all times - a significant plus for safety at work. The multifunctional use, whether in the production supply, as tigger train, in the facility management or in the transport of luggage at airports: The future of more efficient horizontal transports has begun.

Extensive Equipment

Power

- High handling rate: pulls and transports loads of up to 8 tonnes
- Fast transport of goods thanks to top speed of up to 20 km/h and high gradeability
- Optimal forklift truck utilisation: gradient display informs you at a glance of the current incline and gradient situation

Precision

- Couple trailer quickly and safely with clear view of the trailer coupling
- Precision at the touch of a button: reversing device enables you to drive the tractor safely and precisely up to the trailer
- Sensitive acceleration and steering guarantee that goods are transported safely and smoothly

Ergonomics

- Pedestrian operation: simply touching a button saves frequent exits and entries on short stretches
- Comfortable seats: STILL has designed modern sprung and cushioned driver's seats for its forklift trucks to provide high levels of comfort
- Easy access thanks to low step
- Simple, fast, stress-free: lateral battery change gives renewed energy in just a few moments
- Always hands-free: generous storage facilities in the truck, e.g. for documents, drinking bottles and mobile devices
- Easily accessible load bed height of 680 mm (transporter) and 645 mm (tractor)

Compactness

- Compact design and extreme manoeuvrability for optimum working performance, combined with sensitive drive control

Safety

- Optimum safety through combination of three braking systems: electric brake, hydraulic brake and automatic parking brake
- Be seen: LED daytime driving lights make the vehicle clearly visible to other drivers
- No unintended rolling away: the automatic parking brake is activated as soon as the truck is stationary

Environmental Responsibility

- Long-lasting and energy-saving LED lamps
- Low wear and long service intervals of 1,000 operating hours
- High durability of the tractor battery through easy maintenance: Battery's acid level is monitored and shown in the display
- Blue-Q efficiency mode saves up to 10 per cent energy at the press of a button with no loss of performance
- Over 95 percent of all installed materials are recyclable

LTX Electric Tractor and Transporter Equipment Variants



	LTX 70	LTX-T 08	
Driver's cab	Sprung and cushioned chassis	●	●
	Integrated storage facilities, drink holder	●	●
	LCD display to show active operating statuses	●	●
	Adjustable steering column	●	●
	12 V vehicle socket	●	●
	Sprung driver's seat, adjustable to truck length and weight	●	●
	Sprung driver's seat, adjustable to truck length and weight, with seat heating	○	○
	Lap belt for driver's seat	○	○
	Removable clipboard	○	○
	Driver's cab, height 2,070 mm	○	○
	Weather protection, height 2,070 mm	○	○
	Load protection grid to secure the load in the direction of travel	○	●
	Ventilator in the cab	○	○
	Display in km/h	●	●
	Display in mph	○	○
Drives	Maintenance-free drive motor	●	●
	Fully enclosed drive motor	●	●
	Integral current and temperature sensors for function monitoring	●	●
Brake	Regenerative braking system	●	●
	Energy recovery when braking	●	●
	Hydraulic operating brake	●	●
Safety and performance	Automatic parking brake	●	●
	FleetManager: access authorisation, shock detection, reports	○	○
	PIN code access, keyless, with rotary control	○	○
	Lighting in accordance with German Road Traffic Licensing Regulation	○	○
	Display of ramp angle in % for travel on inclines and gradients STILL Ramp Indicator	●	●
	Incline start assistant	●	●
	Working lights	○	○
	Lighting unit set high at rear	○	○
	Steering angle-dependant speed control	○	○
	Speed selector switch to limit the max. forward speed preset to 20/12 km/h	●	●
Battery system	Reversing device to rear right and left	○	○
	Lashing eyes on the platform	○	●
	Tarpaulin and roof arch construction	—	○
	Battery changing with changing frame and pallet truck	●	●
	Lateral battery changing with roller track	○	○
Additional equipment	Battery bridge for lateral battery removal and replacement	○	○
	Built-in charger	○	○
	Additional exterior battery socket	○	○
	Protective skirting at front	○	○
	Trailer coupling with 3 levels at rear	●	●
	Electrically unlocked trailer coupling at rear	○	○
	Trailer coupling at front	○	○
	Data terminal and printer for preparation	○	○
	Device holder for the installation of raised lighting units	○	○
Fastening clamp for terminal, clipboard, mirror and boarding aid	○	○	
Hydraulic supply to operate hydraulically driven tugger train trailer	○	○	
Pedestrian operation for easy order picking	○	○	

● Standard ○ Option — Not available



Gemini Equipment And Rentals Pvt. Ltd.

1706-1709, The Corporate Park 17th Floor Plot No-14-15
Vashi Navi Mumbai -400705, India.
Email id : info@gear-india.com | Contact No: +918451934343 |
Website: www.gear-india.com

STILL is certified in the following areas: Quality management, occupational safety, environmental protection and energy management.



LTX EN 09/20. Subject to change without notice. Illustrations show accessories that are additionally charged.

STILL GmbH
Berzeliusstr. 10
22113 Hamburg
Germany
Tel.: +49 40 73 39 20 00
Fax: +49 40 73 39 20 01
info@still.de

For further information please visit
www.still.eu

first in intralogistics