

OPX Technical Data

Horizontal Order Picker

OPX 20/Li-Ion/iGo neo

OPX 25/Li-Ion/iGo neo

OPX 20 Plus/Li-Ion

OPX 25 Plus/Li-Ion

OPX-D 20/Li-Ion

OPX-L 20/Li-Ion/iGo neo

OPX-L 20 S/Li-Ion/iGo neo

OPX-L 12/Li-Ion/iGo neo

OPX-L 16/Li-Ion




Li-Ion
INSIDE

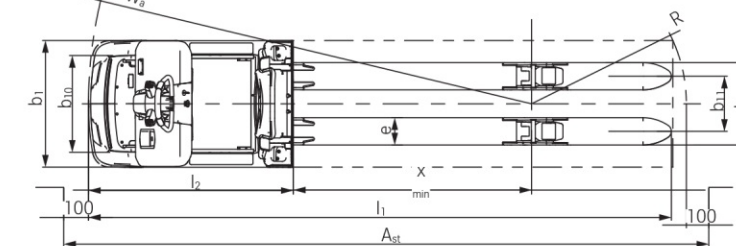
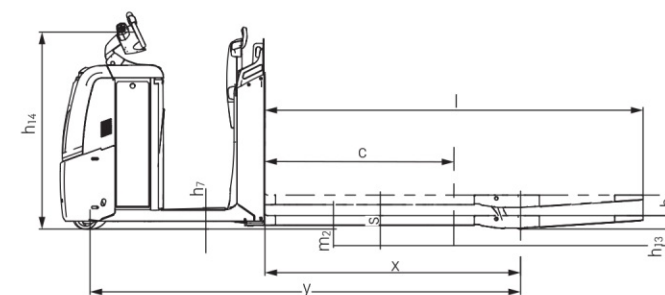
iGo neo

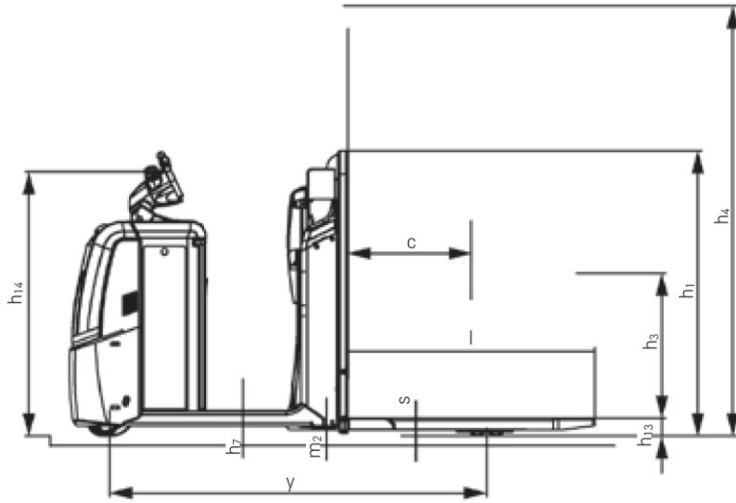
first in intralogistics



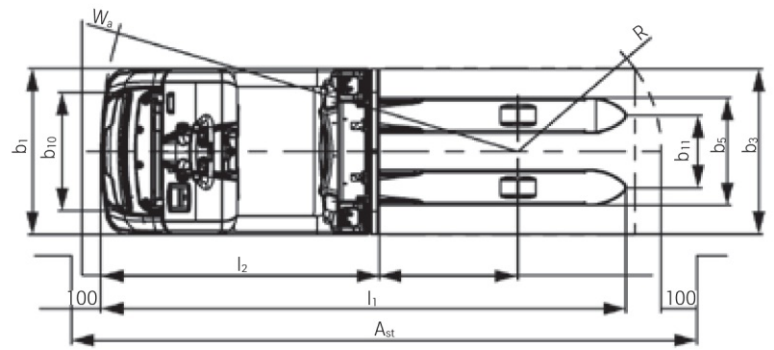
Features		Q	kg	STILL	STILL	STILL	STILL	STILL	STILL	STILL	STILL	STILL	
				OPX 20/Li-Ion	OPX 25/Li-Ion	OPX 20 Plus/Li-Ion	OPX 25 Plus/Li-Ion	OPX-D 20/Li-Ion	OPX-L 20/Li-Ion	OPX-L 20 S/Li-Ion	OPX-L 12/Li-Ion	OPX-L 16/Li-Ion	
1.1	Manufacturer												
1.2	Manufacturer's type designation												
1.3	Drive			Electric	Electric	Electric	Electric	Electric	Electric	Electric	Electric	Electric	
1.4	Operation			Stand-on	Stand-on	Stand-on	Stand-on	Stand-on	Stand-on	Stand-on	Stand-on	Stand-on	
1.5	Load capacity/load	Q	kg	2000	2500	2000	2500	1000/1000 (2000)	1000/1000 (2000)	2000	1200	1600	
1.6	Load centre distance	c	mm	1200	1200	1200	1200	600	1248/600 for mast stroke ¹	1200	600	1200	
1.8	Load distance	x	mm	1615 ²	1615 ²	1615 ²	1615 ²	944/816 ³	1910/1782 ³	1474/1310 ³	670	1093	
1.9	Wheel base	y	mm	2717 ²	2717 ²	2720 ²	2720 ²	2260/2132 ^{3,4}	3225/3097 ^{3,4}	2661/2497 ^{3,4}	1823 ⁴	2279 ⁴	
Weights	2.1	Service weight (incl. battery)	kg	1178 ²	1203 ²	1218 ²	1243 ²	1476	1567	1456	1308	1585	
	2.2	Axle load with load	drive end/load end	kg	1120/2058	1188/2515	1236/1982	1322/2421	1278/2198	1539/2028	1140/2316	920/1588	944/2241
	2.3	Axle load without load	drive end/load end	kg	897/281	906/297	933/285	942/301	1024/452	933/397	1020/436	875/433	1041/544
Tyres/chassis	3.1	Tyres		Polyurethane	Polyurethane	Polyurethane	Polyurethane	Polyurethane	Polyurethane	Polyurethane	Polyurethane	Polyurethane	
	3.2	Tyre size	drive end	mm	Ø 254 x 102	Ø 254 x 102	Ø 254 x 102	Ø 254 x 102	Ø 254 x 102	Ø 254 x 102	Ø 254 x 102	Ø 254 x 102	
	3.3	Tyre size	load end	mm	Ø 85 x 100	Ø 85 x 80	Ø 85 x 80	Ø 85 x 80	Ø 85 x 60	Ø 85 x 80	Ø 85 x 60	Ø 85 x 80	
	3.4	Additional wheels (dimensions)		mm	Ø 150 x 50	Ø 150 x 50	Ø 110 x 60	Ø 150 x 60	Ø 150 x 50	Ø 110 x 50	Ø 150 x 50	Ø 150 x 50	
	3.5	Number of wheels (x = driven)	drive end/load end		1x - 1/2	1x - 1/4	1x - 2/4	1x - 2/4	1x - 1/4	1x - 1/4	1x - 1/4	1x - 1/4	1x - 1/4
Basic dimensions	4.2	Height mast lowered	h ₁	mm	-	-	-	-	See mast table	See mast table	1375 ⁴	1375 ⁴	1665 ⁴
	4.3	Free lift	h ₂	mm	-	-	-	-	See mast table	See mast table	-	-	-
	4.4	Lift	h ₃	mm	-	-	-	-	1580	800	700	700	700
	4.5	Height mast extended	h ₄	mm	-	-	-	-	See mast table	See mast table	2075 ⁴	2075 ⁴	2365 ⁴
	4.6	Initial lift	h ₅	mm	130	130	130	130	130	130	-	-	-
	4.8	Stand height	h ₇	mm	130 ⁵	130 ⁵	130 ⁵	130 ⁵	130 ⁵	130 ⁵	130 ⁵	130 ⁵	130 ⁵
	4.9	Height STILL Easy Drive steering wheel in driving position	min./max.	h ₁₄	mm	1250 ⁶	1250 ⁶	1250 ⁶	1250 ⁶	1250 ⁶	1250 ⁶	1250 ⁶	1250 ⁶
	4.10	Height support arms		h ₈	mm	-	-	-	85	85	-	-	-
	4.14	Stand height, extended	with raisable driver's station	h ₁₂	mm	1197	1197	-	1197	1197	1197	1197	1197
	4.15	Fork height, lowered		h ₁₃	mm	85	85	85	85	91	91	85	86
	4.17	Overhang length		l ₅	mm	-	-	-	-	-	-	-	-
	4.19	Overall length		l ₁	mm	3680	3680	3680	3680	2653 ⁴	4005 ⁴	3764 ⁴	2532 ⁴
	4.20	Length to face of forks		l ₂	mm	1290	1290	1290	1290	1503 ⁴	1503 ⁴	1374 ⁴	1342 ⁴
	4.21	Overall width		b ₁	mm	800	800	800	800	800	800	800	800
	4.22	Fork dimensions		s/e/l	mm	61/172/2390	61/172/2390	61/172/2390	61/172/2390	55/180/1150	60/200/1295	75/172/2390	55/172/1190
	4.24	Fork carriage width		b ₃	mm	-	-	-	-	711	711	792 ⁴	796 ⁴
	4.25	External fork width		b ₅	mm	520 (540/560/670)	520 (540/560/670)	520 (540/560/670)	520 (540/560/670)	560	570	540	(520) 560
	4.31	Ground clearance, loaded, beneath the mast		m ₁	mm	-	-	-	-	19/143 ³	13/100 ³	18 ¹¹	-
	4.32	Ground clearance, centre of wheel base		m ₂	mm	24/154 ³	24/154 ³	24/154 ³	24/154 ³	25/155 ³	25/155 ³	10/710 ³	30
	4.34.1	Working aisle width with pallet 1000 x 1200 crossways	raised	A _{st}	mm	See additional dimensions	See additional dimensions	See additional dimensions	-	-	-	-	-
4.34.2	Working aisle width with pallet 800 x 1200 crossways	raised	A _{st}	mm	See additional dimensions	See additional dimensions	See additional dimensions	-	-	-	-	-	
4.34.3	Working aisle width with pallet 800 x l ₅ lengthways	raised	A _{st}	mm	See additional dimensions	See additional dimensions	See additional dimensions	3067 ^{3,4}	See additional dimensions	4036 ⁴	2871 ⁴	4026 ⁴	
4.35	Turning radius		W _a	mm	2893 ^{2/2786} 2.3	2893 ^{2/2786} 2.3	2893 ^{2/2786} 2.3	2893 ^{2/2786} 2.3	2440/2313 ^{3,4}	3399/3271 ^{3,4}	2838/2675 ^{3,4}	2007 ⁴	
Performance data	5.1	Driving speed	with/without load	km/h	9/12	9/12	11/14	11/14	9/12	9/12	9/12	9/12	
	5.1.1	Driving speed, backwards	with/without load	km/h	8/11	8/11	8/11	8/11	8/11	8/11	8/11	8/11	
	5.2	Lifting speed	with/without load	m/s	0.070/0.111	0.064/0.089	0.070/0.111	0.064/0.089	0.15/0.25	0.159/0.253	0.095/0.176	0.135/0.218	
	5.3	Lowering speed	with/without load	m/s	0.084/0.067	0.068/0.066	0.084/0.067	0.068/0.066	0.19/0.25	0.218/0.240	0.13/0.13	0.130/0.122	
	5.8	Maximum gradeability, forks raised	with/without load	%	7/12 (6.9) ^{9,10}	7/12 (6.9) ^{9,10}	7/12 (6.9) ^{9,10}	7/12 (6.9) ^{9,10}	8/15 ⁹ (8.9) ⁹	7/12 ⁹ (6.6) ⁹	7/12 (2.7) ⁹	7.8/15 (6.2) ⁹	
	5.9	Acceleration time to 10 m	with/without load	s	6.1/4.8	6.4/4.8	6.1/4.8	6.2/4.8	6.6/5.3	6.5/5.3	6.8/5.4	5.8/4.9	
Electric engine	6.1	Driving motor, power S2 = 60 min		kW	3	3	3	3	3	3	3	3	
	6.2	Lift motor, power at S3		kW	2.2/5%	2.2/5%	2.2/5%	2.2/5%	2.2/5%	2.2/5%	2.2/5%	2.2/5%	
	6.4	Battery voltage/nominal capacity K ₅		V/Ah	24/345 - 465	24/345 - 465	24/345 - 465	24/345 - 465	24/345 - 465	24/345 - 465	24/345 - 465	24/345 - 465	
	6.5	Battery weight ±5%		kg	402	402	402	402	402	402	402	402	
	6.6	Energy consumption according to VDI cycle		kWh/h	0.46	0.52	0.46	0.52	0.65/0.53 ⁸	0.55/0.53 ⁸	0.83	0.54	
	Misc.	8.1	Type of driving control			AC control	AC control	AC control	AC control	AC control	AC control	AC control	AC control
10.7		Sound pressure level (driver's ear)		dB(A)	<70	<70	<70	<70	<70	<70	<70	<70	

¹ With pallet holder 1365/765 mm
² With fork length 2390 mm/x = 1615 mm/traction rods; please see the table for more values
³ Forks or initial lift raised
⁴ With tray 54 or Li-Ion +114 mm
⁵ With load guard (1290 mm height above the forks for OPX-L 20 S and OPX-L 12, 1575 mm for OPX-L 16)
⁶ With raisable driver's station h₇ +30 mm; h₁₄ +87 mm
⁷ With raisable driver's station +87 mm; with adjustable steering wheel, h₁₄ adjustment range = +89 mm/-19 mm
⁸ With 1000 kg on mast and 1000 kg on initial lift at max initial lift height
⁹ In brackets: geometric limit
¹⁰ With fork length 2390 mm; for other fork dimensions, the geometric limit lies between 6.6% (fork length 3100 mm) and 10.7% (fork length 990 mm)
¹¹ Minimum ground clearance under the chassis with mandatory foot guard

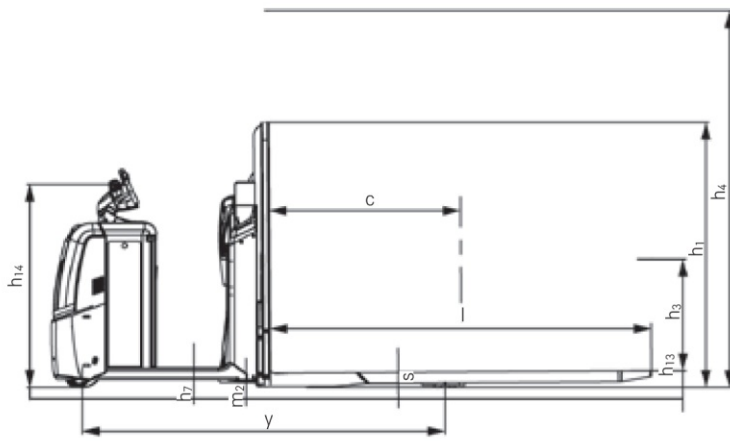




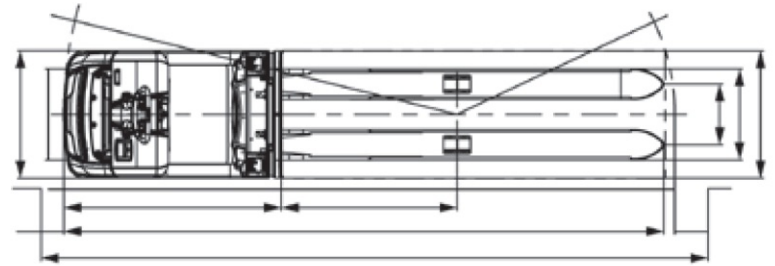
Side view OPX-L 12



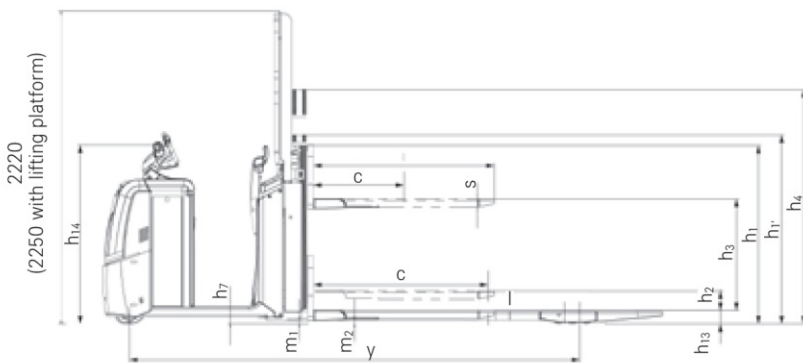
Top view OPX-L 12



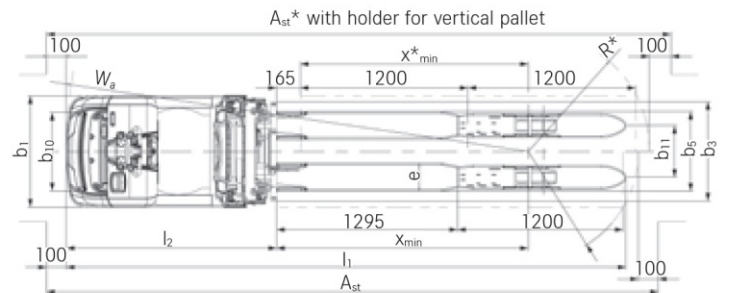
Side view OPX-L 16



Top view OPX-L 16



Side view OPX-L 20



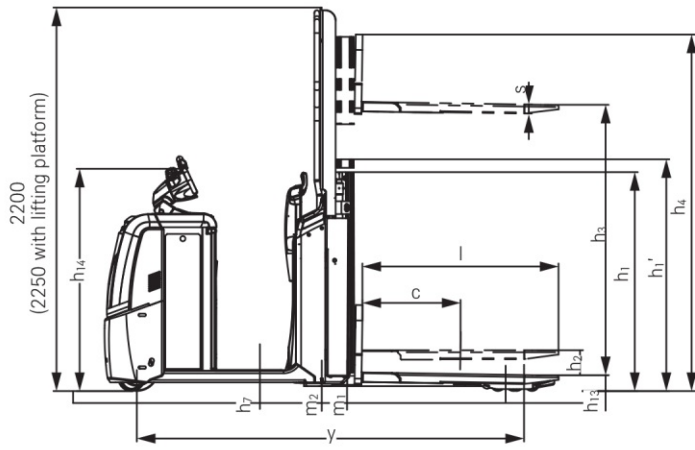
Top view OPX-L 20

Mast table OPX-D 20/OPX-L 20

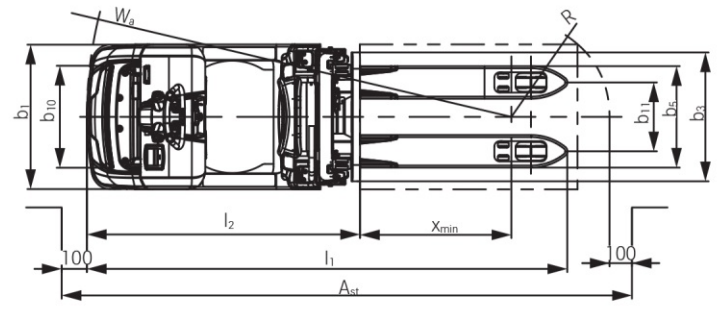
			OPX-D 20	OPX-L 20	
Mast			Telescopic	Telescopic	Telescopic
Height, mast lowered	h_1	mm	1276	1276	1276
Mast height with used initial lift	h_1'	mm	1351	1351	1351
Initial lift ^a	h_2	mm	150	150	150
Lift height	h_3	mm	1580 ^b	800 ^b	1580 ^b
Height mast, extended	h_4	mm	2066	1676	2066
Height, mast lowered	Standard	mm	2200	2200	2200
	With raisable driver's station, lowered ^b	mm	2250	2250	2250
	With pallet holder ^b	mm	-	2200	2200
Height, mast extended	Standard	mm	2200	2200	2200
	With raisable driver's station, lowered ^b	mm	2250	2250	2250
	With pallet holder ^b	mm	-	2334	3114

^a With increased height h_1'

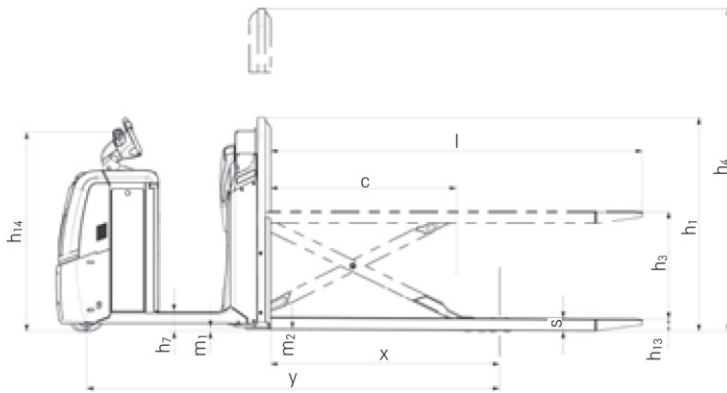
^b With finger guard on the accessory bracket, load side, high



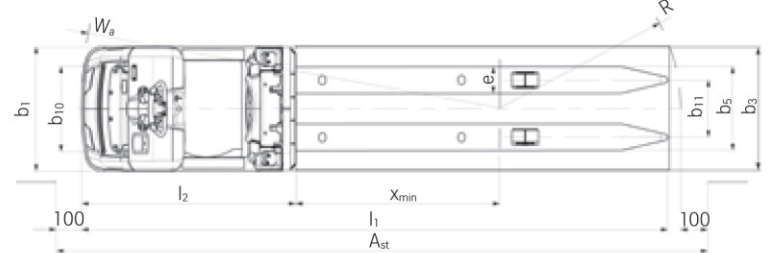
Side view OPX-D 20



Top view OPX-D 20



Side view OPX-L 20 S



Top view OPX-L 20 S

Working aisle width OPX-L 20 and OPX-L iGo neo (with raised support arms)

Fork length	Value with raised pallet	Length support arms	Load distance x	Turning radius Wa ^a	Working aisle width Ast ^a
mm	mm	mm	mm	mm	mm
1295	-	1207	1782	3271 (iGo neo: 3455)	4289 (iGo neo: 4473)
1295	165	1137	1617	3271 (iGo neo: 3455)	4350 (iGo neo: 4534)

^a With tray 54 or Li-ion + 114 mm

Fork overview OPX 20/25/20 Plus/25 Plus/20 iGo neo/25 iGo neo

	Fork length l	Load centre distance c	Load distance x ^a	Wheel base y ^{a, b, c}	Overall length l ^b	Turning radius Wa ^{b, d}	Working aisle width Ast ^{b, d}
	mm	mm	mm	mm	mm	mm	mm
Pressure rod	990	500	805	1907	2280 (iGo neo: 2451)	2034 (iGo neo: 2208)	2885 (iGo neo: 3059)
	1190	600	1005	2107	2480 (iGo neo: 2651)	2231 (iGo neo: 2408)	2904 (iGo neo: 3081)
	1450	750	1265	2367	2740 (iGo neo: 2911)	2489 (iGo neo: 2668)	3184 (iGo neo: 3363)
	1650	850	1465	2567	2940 (iGo neo: 3111)	2688 (iGo neo: 2868)	3383 (iGo neo: 3563)
	1650	850	1105	2207	2940 (iGo neo: 3111)	2330 (iGo neo: 2508)	3295 (iGo neo: 3473)
	1800	900	1615	2717	3090 (iGo neo: 3261)	2837 (iGo neo: 3018)	3505 (iGo neo: 3686)
	2150	1100	1605	2707	3440 (iGo neo: 3611)	2827 (iGo neo: 3008)	3792 (iGo neo: 3973)
	2150	1100	1375	2477	3440 (iGo neo: 3611)	2598 (iGo neo: 2778)	3766 (iGo neo: 3946)
	2390 ^e	1200	1845	2947	3680 (iGo neo: 3851)	3065 (iGo neo: 3248)	4122 (iGo neo: 4305)
	2390 ^f	1200	1615	2717	3680 (iGo neo: 3851)	2837 (iGo neo: 3018)	3969 (iGo neo: 4150)
Traction rod	2390	1200	1845	2947	3680 (iGo neo: 3851)	3015 (iGo neo: 3197)	3989 (iGo neo: 4171)
	2390	1200	1615	2717	3680 (iGo neo: 3851)	2786 (iGo neo: 2967)	3964 (iGo neo: 4145)
	2900	1500	2125	3227	4190 (iGo neo: 4361)	3293 (iGo neo: 3477)	4554 (iGo neo: 4738)
	3100	1600	2125	3227	4390 (iGo neo: 4561)	3293 (iGo neo: 3477)	4819 (iGo neo: 5003)

^a With lowered forks; with fully raised forks and pressure rod -57 mm; for traction rod -108 mm

^b With battery tray 54 or Li-ion + 114 mm

^c For OPX 20 Plus and OPX 25 Plus +3 mm

^d With fully raised forks; with lowered forks Wa for pressure rods +57 mm, Wa for traction rod +108 mm

^e Long wheel base suitable for accommodating up to 3 Euro-pallets crossways

^f Short wheel base suitable for up to 2 Euro-pallets lengthways

High handling performance thanks to load capacity of up to 2,500 kg

Simultaneous steering, lifting and driving without changing grip using the STILL Easy Drive steering wheel

High availability due to optionally available lateral battery change and Li-Ion technology



OPX 20/25

Be it retail trade, automotive or food industry: the STILL OPX horizontal order picker with a load capacity of up to 2.5 tonnes is an innovative all-rounder. Its versatility makes it the optimal vehicle for every application profile. Ever efficient, reliable and inspiring in its dynamic virtues. The operating concept represents the biggest evolutionary steps since the invention of the wheel: Try the height-adjustable STILL Easy Drive steering wheel with an integrated display. You will have never driven a vehicle more intuitively or manoeuvred a 12 km/h fast horizontal order picker more comfortably as well as precisely - all of this without changing grip.

If desired, the OPX can literally propel you, too - with the optionally available raisable driver's station. This not only raises the cabin to a picking height of 2.80 m, but the STILL Easy Drive steering wheel rising as well. This means you can manoeuvre the vehicle at this level and directly move to the next picking station, saving valuable time. Battery capacities of up to 620 Ah allow for an extensive range. All models are also available with Li-Ion drive: this means that short interim charging breaks allow for 24-hour operational readiness.

High handling performance thanks to outstanding driving dynamics

Unlimited robustness thanks to solid build and metal covers

Outstanding ergonomics thanks to optional pneumatically-damped driver's station and adjustable STILL Easy Drive steering wheel



OPX 20/25 Plus

Are you looking for a particularly fast horizontal order picker boasting the best driving dynamics available in the market? The STILL OPX 20/25 Plus means you have found exactly that. Move loads of up to 2.5 tonnes at top speeds of up to 14 km/h through your storage aisles with absolute precision. The exceptional suspension with five wheels makes for an unrivalled driving experience. Smooth and safe cornering is guaranteed by the Curve Speed Control assistance system: depending upon steering angle the system automatically reduces speed

to maximise cornering with guaranteed safety! The optional air-sprung driver's station is a distinct and strong asset during long working periods. The damping can be adjusted individually to match the driver's weight, offering the best human vibration values in its class. Naturally, the OPX 20/25 Plus also features the innovative STILL Easy Drive steering wheel as standard for utmost in intuitiveness and easy operation.

High load capacity of up to 1,200 kg for heavy loads

Ideal for even the narrowest aisles thanks to compact vehicle dimensions

Maximised operator safety and low-impact transport thanks to the raising of the load guard mast lift actuation



OPX-L 12

Power, ergonomics and manoeuvrability are the hallmarks of the OPX-L 12: Thanks to its mast picked goods of up to a total weight of 1,200 kg can be lifted to a working height of up to 786 mm - back-friendly ergonomics as standard. The lift and lower buttons provide even more comfort. The vehicle raises and lowers the pallet depending

on the loading condition. You benefit from having the optimum order picking height at all times. The lift function allows pallets to be stacked lengthwise. In combination with the high manoeuvrability, you can make better use of existing storage space, down to the last centimetre.

High manoeuvrability when transporting two pallets

Back-friendly picking of up to 1,600 kg

Pallets can be lifted length- or crossways thanks to short support arms and long forks



OPX-L 16

The OPX-L 16 is capable of transporting two pallets simultaneously with a minimum turning circle. An ideal prerequisite for the effective use of all available storage space and highly efficient picking of goods. In combination with the innovative STILL Easy Drive steering wheel you gain better control over the full range of precise manoeuvrability

to quickly deliver two fully laden pallets to their destination. The short support arms combined with the swiveling forks add up to a further advantage: You can even stack pallets! This can be done lengthwise and crosswise up to a height of 790 mm. The OPX-L 16 is definitely a true all-rounder.

Shorter picking routes to pallets to enhance picking performance and ensure back-friendly picking thanks to the special vehicle design

High driving dynamics in curves with an optimised centre of gravity

Optional raisable driver's station for order picking in the first level



OPX-L 20

What do you do when the first pallet is fully loaded? With the OPX-L 20 you simply switch round to the second pallet on board and carry on picking, always on the shortest route to the next pallet. This is how it works: You load the picker with two empty pallets. One pallet is folded vertically upwards on the back of the fork and then the second is placed next to it. You can now start loading the horizontal pallet. After that work is done, the fully loaded pallet is simply lowered and the

vehicle moved forward until the pallet reaches the fork tips. The pallet on the back of the fork is now folded down onto the free part of the fork and work continues. Comfortable, back-friendly order picking of up to 2,000 kg at variable working heights of up to 891 mm. Thanks to the vehicle's high driving stability, based on the low centre of gravity, the goods can be quickly brought to their destination even on curvy routes.

Back-friendly order picking of two pallets

Transportation of long goods

Maximised operator safety thanks to standard load guard



OPX-L 20 S

The OPX-L 20 S also raises job motivation - thanks to the scissor lift the best ergonomic working height can be set to match the drivers' size and loading status up to a height of 785 mm. Back-friendly working is just one aspect of this intelligent order picking vehicle: With a fork length of 2,390 mm, the OPX-L 20 S can easily handle two Euro-pallets concurrently. At the same time it is strong enough to lift a

total load of up to 2,000 kg. The long forks in combination with the STILL Easy Drive steering wheel make the innovative horizontal order picker perfect for the transportation of long goods, for example in the furniture industry. Apropos long: Its working hours are also long thanks to extra large battery capacities and the optional Li-Ion technology. The OPX-L 20 S can do long for longer.

High handling capacity when transporting non-stackable pallets of up to 2,000 kg

Compact dimensions ensure maximum manoeuvrability

Maximum safety thanks to optional intelligent LED daytime running lights

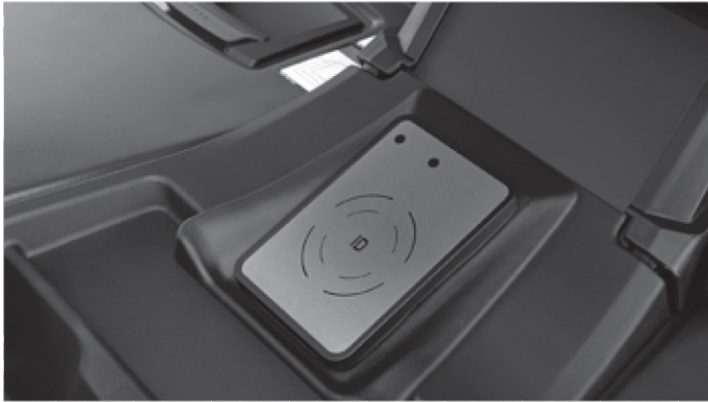


OPX-D 20

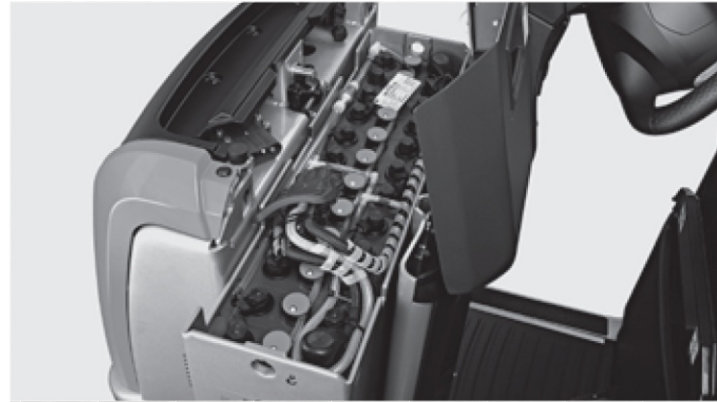
Twice as efficient: The OPX-D 20 integrates all the benefits offered by the OPX series - plus an extra pallet. The compact double-decker vehicle can transport two separately forked pallets at the same time. This is ideal for pressure-sensitive goods such as yogurt or fruit. Nonetheless, the vehicle offers unimpeded views to the front and

a minimal turning circle: The OPX-D 20 carries two pallets of up to 1,000 kg above instead of behind one another. Battery capacities of up to 620 Ah and a maximum speed of 12 km/h ensure fast working over long periods. The optional STILL Li-Ion technology even enables operations round the clock.





A variety of access control options: optional access via FleetManager or PIN code and standard access via key switch



Optional lateral battery changes guarantee maximised availability and best user/ driver ergonomics



Optional folding seat for improved comfort over longer trips



Optional foldable step for sporadic picking at first level



Unique STILL Easy Drive steering wheel for best driving experience and control of all functions without changing grip



Optional STILL Safety Light for better visibility of vehicle and enhanced safety



Double-sided pedestrian mode for improved handling even during high picking densities



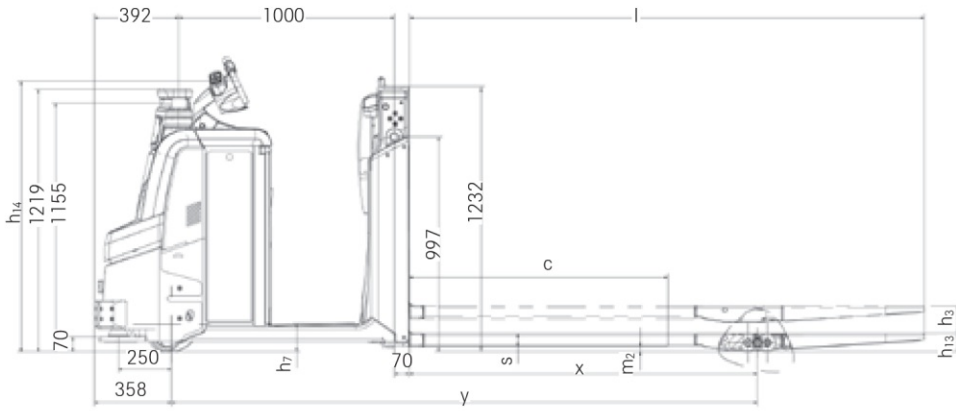
Maximum ergonomics due to the height-adjustable steering wheel and improved angle for individual driver preferences



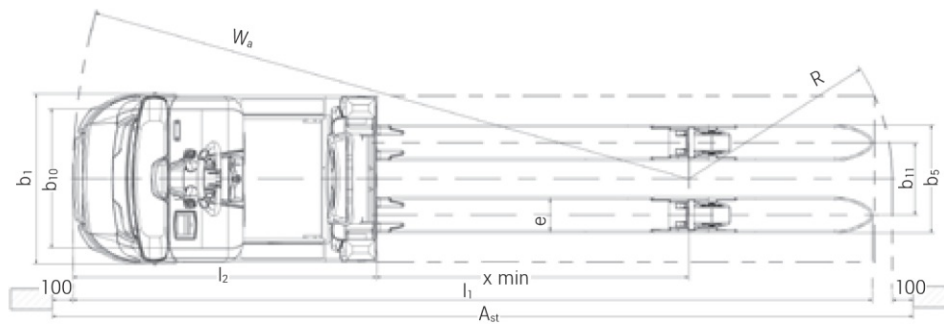


		OPX 20 iGo neo	OPX 25 iGo neo	OPX-L 20 iGo neo	OPX-L 20 S iGo neo	OPX-L 12 iGo neo
Features	1.1	Manufacturer	STILL	STILL	STILL	STILL
	1.2	Manufacturer's type designation	OPX 20 iGo neo	OPX 25 iGo neo	OPX-L 20 iGo neo	OPX-L 20 S iGo neo
	1.3	Drive	Electric	Electric	Electric	Electric
	1.4	Operation	Stand-on	Stand-on	Stand-on	Stand-on
	1.5	Load capacity/load	Q kg 2000	2500	2000/1000 for mast stroke	2000
Weights	1.6	Load centre distance	c mm 1200	1200	1248/600 for mast stroke ¹	600
	1.8	Load distance	x mm 1615 ²	1615 ²	1910/1782 ³	1474/1310 ³
	1.9	Wheel base	y mm 2717 ²	2717 ²	3225/3097 ^{3,4}	2661/2497 ^{3,4}
	2.1	Service weight (incl. battery)	kg 1265 ²	1290 ²	1654	1543
	2.2	Axle load with load	drive end/load end kg 1211/2054	1279/2511	1629/2025	1231/2312
Tyres/chassis	2.3	Axle load without load	drive end/load end kg 988/277	997/293	1260/394	1111/432
	3.1	Tyres		Polyurethane	Polyurethane	Polyurethane
	3.2	Tyre size	drive end mm Ø 254 x 102	Ø 254 x 102	Ø 254 x 102	Ø 254 x 102
	3.3	Tyre size	load end mm Ø 85 x 100	Ø 85 x 80	Ø 85 x 80	Ø 85 x 80
	3.4	Additional wheels (dimensions)	mm Ø 150 x 50	Ø 150 x 50	Ø 150 x 50	Ø 150 x 50
Basic dimensions	3.5	Number of wheels (x = driven)	drive end/load end 1x - 1 / 2	1x - 1 / 4	1x - 1 / 4	1x - 1 / 4
	3.6	Track width	drive end b ₁₀ mm 474	474	474	474
	3.7	Track width	load end b ₁₁ mm 348 (368/388/498)	348 (368/388/498)	370	368
	4.2	Height mast lowered	h ₁ mm -	-	See mast table	1375 ⁵
	4.3	Free lift	h ₂ mm -	-	See mast table	-
	4.4	Lift	h ₃ mm 130	130	800	700
	4.5	Height mast extended	h ₄ mm -	-	See mast table	2075 ⁵
	4.6	Initial lift	h ₅ mm -	-	130	-
	4.8	Stand height	h ₇ mm 130	130	130	130
	4.9	Height steering wheel in driving position	min./max. h ₁₄ mm 1250 ⁶	1250 ⁶	1250 ⁶	1250 ⁶
	4.10	Height support arms	h ₈ mm -	-	85	-
	4.14	Stand height, extended	with raisable driver's station h ₁₂ mm 1197	1197	1197	1197
	4.15	Fork height, lowered	h ₁₃ mm 85	85	91	85
	4.19	Overall length	l ₁ mm 3851	3851	4176 ⁴	3935 ⁴
	4.20	Length to face of forks	l ₂ mm 1461	1461	1674 ⁴	1545 ⁴
Performance data	4.21	Overall width	b ₁ mm 830	830	830	830
	4.22	Fork dimensions	s/e/l mm 61 (78 max)/172/2390	61 (78 max)/172/2390	60 (72 max)/200/1295	75/172/2390
	4.24	Fork carriage width	b ₃ mm -	-	711	792 ⁵
	4.25	External fork width	b ₅ mm 520 (540/560/670)	520 (540/560/670)	570	540
	4.31	Ground clearance, loaded, beneath the mast	m ₁ mm -	-	13/100 ³	18 ⁷
	4.32	Ground clearance, centre of wheel base	m ₂ mm 24/154 ³	24/154 ³	25/155 ³	10/710 ³
	4.34	Working aisle width for pallet 800 x l _s lengthways	raised A _{st} mm See additional dimensions	See additional dimensions	See additional dimensions	4216 ⁴
	4.34.1	Working aisle width with pallet 1000 x 1200 crossways	raised A _{st} mm See additional dimensions	See additional dimensions	-	-
	4.34.2	Working aisle width with pallet 800 x 1200 crossways	raised A _{st} mm See additional dimensions	See additional dimensions	-	-
	4.35	Turning radius	W _s mm 3075 ² /2967 ^{2,3}	3075 ² /2967 ^{2,3}	3583/3455 ^{3,4}	3019/2855 ^{3,4}
Electric engine	5.1	Driving speed, conventional	with/without load km/h 9/12	9/12	9/12	9/12
	5.1.1	Driving speed, conventional, backwards	with/without load km/h 8/11	8/11	8/11	8/11
	5.1.2	Driving speed, autonomous	with/without load km/h 7.2	7.2	7.2	7.2
	5.2	Lifting speed	with/without load m/s 0.070/0.111	0.064/0.089	0.159/0.253	0.095/0.176
	5.3	Lowering speed	with/without load m/s 0.084/0.067	0.068/0.066	0.218/0.240	0.130/0.122
Misc.	5.8	Maximum gradeability	with/without load % 7/12 ⁸	7/12 ⁸	7/12 ⁸ (6.6, 5.3) ⁹	7/12 (2.7) ⁹
	5.9	Acceleration time	with/without load s 6.1/4.8	6.4/4.8	6.5/5.3	6.8/5.4
	5.10	Service brake		Electromagnetic	Electromagnetic	Electromagnetic
	6.1	Driving motor, power S2 = 60 min		kW 3	3	3
	6.2	Lift motor, power at S3		kW 2.2/5%	2.2/5%	2.2/5%
	6.3	Battery according to DIN 43531/35/36: A, B, C, no		No	No	No
	6.4	Battery voltage/nominal capacity K _s		V/Ah 24/345-465	24/345-465	24/345-465
6.5	Battery weight ±5%		kg 402	402	402	
6.6	Energy consumption according to VDI cycle		kWh/h 0.46	0.52	0.55/0.52 ¹⁰	0.83
8.1	Type of driving control		AC control	AC control	AC control	
10.7	Sound pressure level (driver's ear)		dB(A) <70	<70	<70	

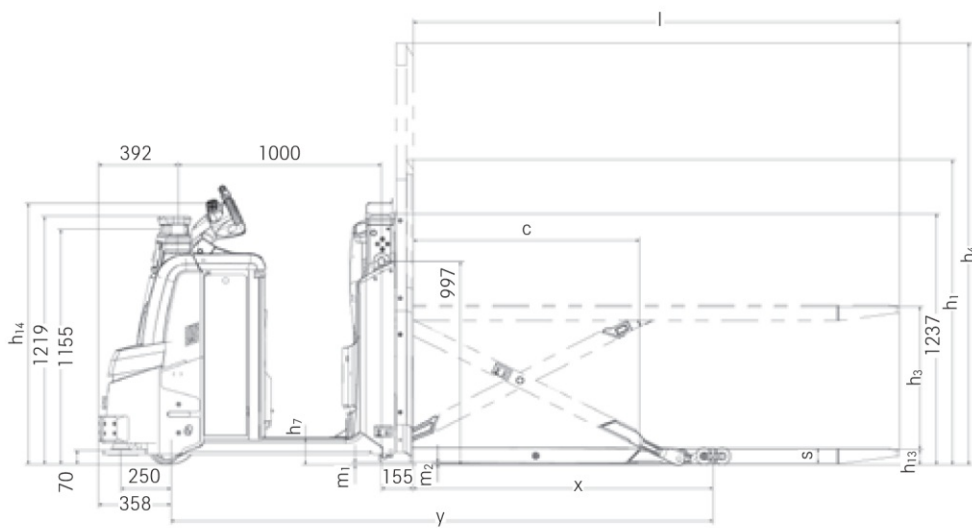
¹ With holder for vertical pallet 1365/765 mm
² With fork length 2390 mm/x = 1615 mm/pull bar version; for other forks see page 5, bottom table
³ With load arms or forks raised
⁴ With tray 54 or Li-ion +114 mm
⁵ With mandatory load guard (1290 mm height above the forks)
⁶ With height adjustment option for the STILL Easy Drive steering wheel, h₁₄ setting range = +89 mm/-19 mm
⁷ Minimum ground clearance under the chassis with mandatory foot guard
⁸ On slope with chamfered edge with forks/arms raised, if possible
⁹ In brackets: geometric limit
¹⁰ With 1000 kg on the mast and 1000 kg on the initial lift at max. initial lift height



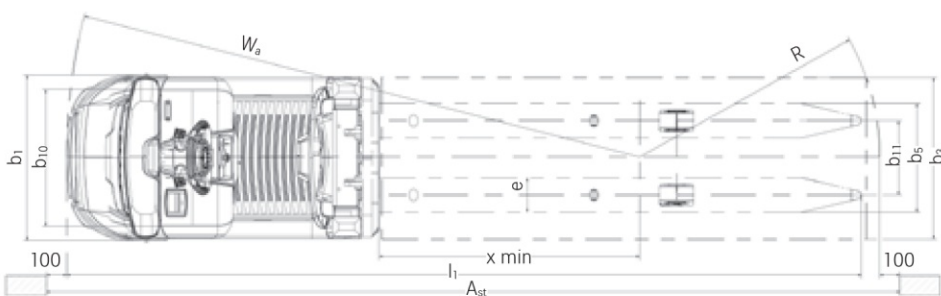
Side view OPX 20 iGo neo



Top view OPX 20 iGo neo



Side view OPX-L 20 S iGo neo



Top view OPX-L 20 S iGo neo

“Autonomous” refers to the ability to act independently. This is the very point where autonomous transport solutions come into play: vehicles that drive, steer, accelerate and brake autonomously. Which other advantages can you expect from autonomous vehicles? In addition to reducing the workload on employees, occupational safety is also significantly improved: damage is prevented and personal accidents are even completely ruled out. The lithium ion battery and

the professional service concept by STILL allow long operating times and maximum availability around the clock. In addition, you also help to protect the environment, as the trucks achieve maximum energy efficiency with lower consumption. And the best thing is: autonomous trucks by STILL can be used directly without any additional installation requirements - you do not have to change your warehouse or your IT infrastructure.



Higher picking performance through autonomous driver assistance operation

Safe and reliable recognition of the operator thanks to the hybrid tracking system, even during Z-picking

Up to 75 % less mounting and dismounting during picking



OPX iGo neo

You can imagine the autonomous horizontal order picker OPX iGo neo as a reliable colleague who reacts to you and helps to reduce your workload. By means of the latest sensor technology, the vehicle detects its operator, its surroundings, obstacles and distances.

A multi-level safety concept and a pedestrian protection system ensure that the OPX iGo neo protects people, warehouse equipment and loads. The vehicle makes decisions based on the data transmitted and defined algorithms: Obstacles are either avoided or the truck stops when the path is completely blocked. If a slower vehicle drives ahead or if a traffic jam develops, the speed is adapted to the situation. Once

the route is clear again, the OPX iGo neo moves up autonomously. For safety reasons, intersections are only crossed autonomously after the operator has given the go-ahead. The operator can of course operate the vehicle manually at any time - an LED signal indicates the current mode. The OPX iGo neo significantly increases picking performance and reduces picking errors. On the one hand, because the autonomous helper takes over driving and steering, allowing the operator to concentrate fully on his work. On the other hand, up to 75 % of the time-consuming and strenuous mounting and dismounting is eliminated and walking distances with loads are greatly reduced.



Safety in a new dimension: the optional 3D front camera of the OPX iGo neo detects obstacles over the entire vehicle height



Always well informed: LED signal units indicate the current operating mode of the vehicle to the operator



Always in focus: safe and reliable operator recognition thanks to hybrid tracking



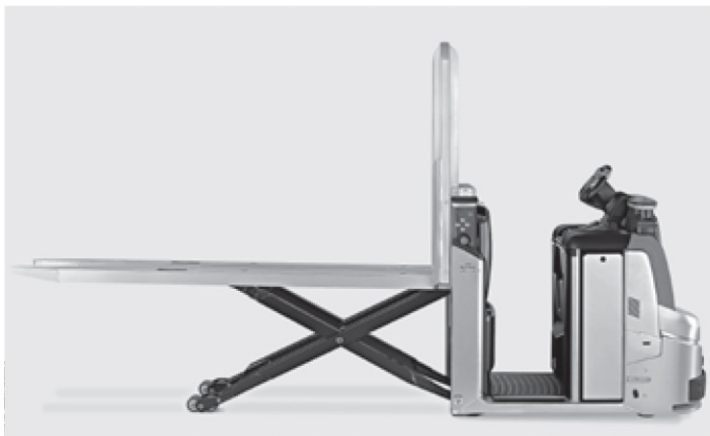
Maximum safety in series: the pedestrian protection system (PPE) actuates the emergency stop in potentially dangerous situations



Everything under control: with the remote control all important vehicle functions can be controlled from the current position of the operator



Intuitive operation: as an alternative to the remote control, the most important functions can be operated using the keypad on the side



The right level: freely adjustable lifting heights on the OPX-L 20 S iGo neo variant for additional ergonomics



Transport of load carriers up to a width of 1,000 mm for a broad range of applications



Execution of individual order picking preferences: simply stop OPX iGo neo in the desired position. The truck will stop autonomously at the exact distance from the rack as specified by the operator. If a safe distance of 500 mm is not maintained, the truck will rectify this once it is restarted. The relative position of the truck to the operator and the rack orientation can be adjusted remotely, thereby reducing walking distances.



Precise handling in the event of obstacles: the OPX iGo neo autonomously avoids obstacles and reacts to the situation. Trucks will either drive around the obstacle, avoid it by driving in convoy, or - if the obstacle completely blocks its path - the truck will stop.



High-performance order picking: the operator can specify whether the truck moves to the first or second pallet position or anywhere in-between.



Process reliability - even for empty racks or crossroads: the OPX iGo neo recognises and passes by empty racks. Crossroads are also detected well in advance and the truck will only drive autonomously over them once the driver has checked the way is clear and has approved the onward journey.



Easy Protect collision avoidance: if the operator is heading for a collision with a vehicle or other obstacle during manual operation, the vehicle detects this and brakes automatically depending on the distance from the obstacle.

Simply easy

- High driving comfort due to height-adjustable, electric steering wheel with automatic neutral position
- Less need for training thanks to intuitive display and control unit
- Freedom of movement on the wide operator's platform with optional extra narrow backrest
- Maximum energy savings with the ECO driving program
- iGo neo vehicles drive, steer, accelerate and brake independently and follow their operator at every turn

Simply powerful

- High handling performance thanks to a load capacity of up to 2,500 kg
- Powerful, reliable and low-maintenance 3-kW three-phase AC traction motor
- Fast goods handling through powerful acceleration and a travel speed of up to 14 km/h
- Cornering stability and optimum traction with the optional 5-wheel chassis
- iGo neo: up to 75% less mounting and dismounting to relieve the operator; picking performance is significantly increased compared to conventional picking

Simply safe

- Fatigue-free mounting and dismounting via the low vehicle entrance
- Excellent visibility thanks to LED daytime running light, Safety Light and Safety Light 4Plus

- Increased safety when cornering with Curve Speed Control and Dynamic Drive Control
- Less wear on the forks due to speed reduction with lowered forks
- iGo neo offers maximum safety for people in the warehouse environment thanks to a unique and multi-level safety concept
- Minimisation of impact damage even when the OPX iGo neo is driven manually

Simply flexible

- High picking performance without mounting and dismounting thanks to pedestrian operation
- Fast order picking on the first level with fold-down step and raisable operator's platform
- Prevention of back pain with optional air-cushioned driver's stand and folding seat
- Flexible use of in-house batteries with the tray for batteries by other manufacturers
- OPX and OPX iGo neo as basic vehicles available in different variants according to the individual picking requirements

Simply connected

- Operator management, shock detection and access protection with FleetManager 4.x
- Early detection of a flat battery with the LED daytime running light Plus
- Integration into customer processes via automation interface and MMS preparation
- iGo neo: safe and reliable operator recognition thanks to the hybrid tracking system, even during Z-picking





		OPX 20/25	OPX 20/25 Plus	OPX-L 20	OPX-L 20 S	OPX-L 12	OPX-L 16	OPX-D 20
Driver's workplace	Driver's station with narrow back rest	○ ¹	○	—	—	—	—	—
	Steering wheel height adjustment	○	○	○	○	○	○	○
	Air-cushioned stand platform	○ ¹	○	○ ¹	○ ¹	○ ¹	○	○
	Folding seat	○ ¹	○	○ ¹	○ ¹	○ ¹	○	○
	Picking step and handle	○ ¹	○	○ ¹	○ ¹	○ ¹	○	○
	Accessory bracket drive side - low	○ ¹	○	○ ¹	○ ¹	○ ¹	○	○
	Accessory bracket drive side - high	○ ¹	○	○ ¹	○ ¹	○ ¹	○	○
	Accessory bracket drive side - high with cross piece	○ ¹	○	○ ¹	○ ¹	○ ¹	○	○
	Accessory bracket load side - low	○ ¹	○	○ ¹	○ ¹	○ ¹	○	○
	Accessory bracket load side - high	○	○	○	○	○	○	○
	Accessory bracket load side - high with cross piece	○	○	○	○	○	○	○
	Adjustable DIN A4 writing surface	○ ¹	○	○ ¹	○ ¹	○ ¹	○	○
12-V power outlet	○	○	○	○	○	○	○	
Steering	Pedestrian mode via butterfly switch on steering wheel	○ ¹	○	○ ¹	○ ¹	○ ¹	○	○
	Pedestrian mode via butterfly switch on steering wheel and lateral pressure buttons	○ ¹	○	○ ¹	○ ¹	○ ¹	○	○
	Pedestrian mode via lateral pressure buttons on the back rest	○ ¹	○	○ ¹	○ ¹	○ ¹	○	○
Fork dimensions	External width b _s = 520 mm	●	●	—	—	—	—	—
	External width b _s = 540 mm	○	○	—	●	—	—	—
	External width b _s = 560 mm	○	○	—	—	—	—	●
	External width b _s = 570 mm	—	—	●	—	●	●	—
	External width b _s = 670 mm	○	○	—	—	○	—	—
Battery system	Battery compartment 345-465 Ah, craneable	●	●	●	●	●	●	●
	Battery compartment 345-465 Ah, lateral change	○	○	○	○	○	○	○
	Battery compartment 560-620 Ah, craneable	○	○	○	○	○	○	○
	Battery compartment 560-620 Ah, lateral change	○	○	○	○	○	○	○
	Battery compartment Li-Ion battery 205-410 Ah, craneable/lateral change	○	○	○	○	○	○	○
Additional equipment	Adapter tray for alternative batteries	○ ¹	○	○ ¹	○ ¹	○ ¹	○	○
	On-board charger 345 Ah/620 Ah	○ ¹	○	○ ¹	○ ¹	○ ¹	○	○
	Fork rollers on the insidew for simple entry/exit	○	○	—	—	—	—	—
	Rubber protection, bottom	○ ¹	○	○ ¹	○ ¹	○ ¹	○	○
	Steel guard on drive motor	○ ¹	○	○ ¹	○ ¹	○ ¹	○	○
	Steel guard, high	○ ¹	○	○ ¹	○ ¹	○ ¹	○	○
	Steel guard on drive motor and rubber protection at bottom	○ ¹	○	○ ¹	○ ¹	○ ¹	○	○
	Raisable workplace (gripping height of 2800 mm)	○ ¹	—	○ ¹	○ ¹	○ ¹	○	○
	Step and handle	○ ¹	○	○ ¹	○ ¹	○ ¹	○	○
	Refrigeration model for up to -30 °C in alternation	○ ¹	○	○ ¹	○ ¹	○ ¹	○	○
	Foil roller holder, drive side	○ ¹	○	○ ¹	○ ¹	○ ¹	○	○
	Foil roller holder, load side	○ ¹	○	—	—	—	—	—
	MMS prepared	○ ¹	○	○ ¹	○ ¹	○ ¹	○	○
	Data transmission, Bluetooth	○	○	○	○	○	○	○
	Data transmission, GPRS	○	○	○	○	○	○	○
	Transport of load carriers up to a width of 1,000 mm with OPX iGo neo	○	—	○	○	○	—	—
	Safety and performance	Lift with lower lock when driving (115 mm)	○	○	○	○	○	○
Load guard with a height of 1875 mm		○	○	—	—	—	—	—
Load guard with a height of 1290 mm		—	—	—	●	●	—	—
Load guard with a height of 1570 mm		—	—	—	—	—	●	—
Load guard with a height of 1450 mm		—	—	— ²	○ ¹	—	—	○
Load guard with a height of 1700 mm		—	—	—	—	—	—	○
Load guard with a height of 1450 mm - with pallet holder for vertical positioning		—	—	○	—	—	—	—
Fork tips to stop trolleys		○	○	—	—	—	—	—
Proportional raising/lowering using STILL Easy Move paddles		—	—	●	○	○	○	●
Speed limit with lowered forks		○	○	○	○	○	○	○
Safety Light front		○	○	○	○	○	○	○
Safety Light 4Plus front		○	○	○	○	○	○	○
Easy Protect: collision avoidance in manual operation with OPX iGo neo	○	—	○	○	○	—	—	
Easy Protect 3D: 3D camera enables advanced collision protection both in manual operation and in autonomous assistance mode (the area covered extends almost across the entire front of the OPX iGo neo)	○	—	○	○	○	—	—	

● Standard ○ Optional — Not available

¹ Not available with iGo neo version

² Optionally available with iGo neo version



STILL GmbH
Berzeliusstr. 10
22113 Hamburg
Germany
Tel.: +49 40 73 39 20 00
Fax: +49 40 73 39 20 01
info@still.de

For further information please visit
www.still.eu



Gemini Equipment And Rentals Pvt. Ltd.
1706-1709, The Corporate Park 17th Floor Plot No-14-15
Vashi Navi Mumbai -400705, India.
Email id : info@gear-india.com | Contact No: +918451934343 |
Website: www.gear-india.com

STILL is certified in the following
areas: Quality management,
occupational safety, environmental
protection and energy management.



ISM=ISO 9001=ISO 14001
OHSAS 18001=ISO 56001

first in intralogistics